

# POWERBOSS®

## SW/72™ PARTS SECTION

### TABLE OF CONTENTS

Axles, Brakes, and Wheels Group .....	2
Battery Group .....	6
Body - Sheet Metal Group - Doors (Side Broom) .....	8
Body (Sheet Metal) Group - Engine Cover .....	10
Directional Control Group .....	12
Electrical Schematic - Wiring Harness .....	14
Engine (Gasoline) Group .....	18
Frame Group .....	26
Front Bumper Group .....	28
Fuel Tank Group .....	<b><i>Shrinkwrap protective cover</i></b> 30
Hopper Group .....	<b><i>Please Discard</i></b> 32
Hopper Group - Hopper Lid .....	34
Hydraulic Group - Control Valve .....	36
Hydraulic Group - Hoses .....	38
Hydraulic Group - Hydraulic Reservoir .....	40
Impeller Group .....	42
Impeller Group - Gasket Mount .....	44
Lift Arm Group .....	46
Main Broom Group .....	50
Miscellaneous Group - Decals .....	54
Seat Group .....	56
Side Broom Group .....	58
Side Broom Group - Side Broom Lift .....	60
Steering Group .....	62
Steering Group - Tilt Steering .....	64



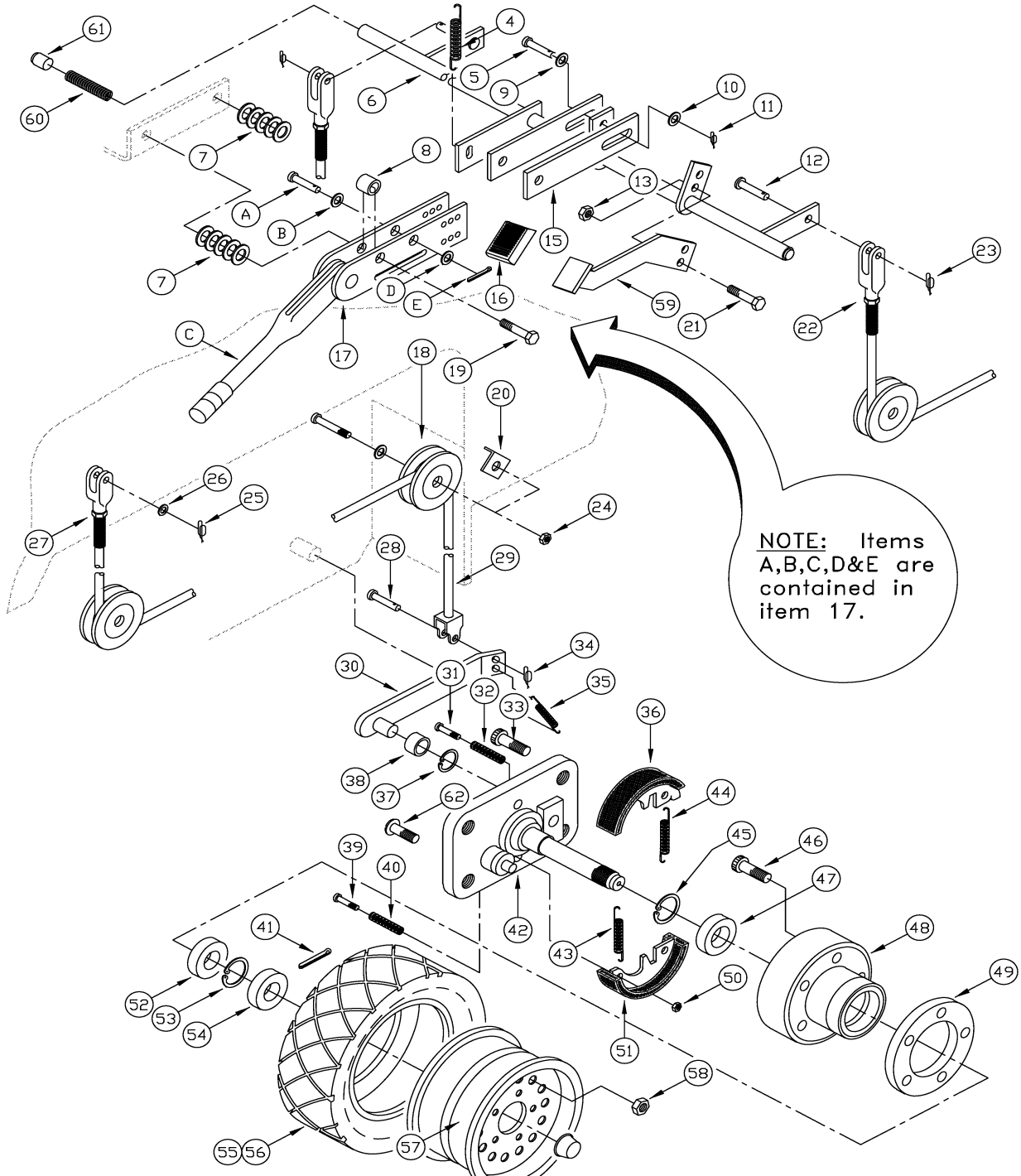
# POWERBOSS®

## SW/72™ PARTS SECTION

### TABLE OF CONTENTS

Axles, Brakes, and Wheels Group .....	2
Battery Group .....	6
Body - Sheet Metal Group - Doors (Side Broom) .....	8
Body (Sheet Metal) Group - Engine Cover .....	10
Directional Control Group .....	12
Electrical Schematic - Wiring Harness .....	14
Engine (Gasoline) Group .....	18
Frame Group .....	26
Front Bumper Group .....	28
Fuel Tank Group .....	30
Hopper Group .....	32
Hopper Group - Hopper Lid .....	34
Hydraulic Group - Control Valve .....	36
Hydraulic Group - Hoses .....	38
Hydraulic Group - Hydraulic Reservoir .....	40
Impeller Group .....	42
Impeller Group - Gasket Mount .....	44
Lift Arm Group .....	46
Main Broom Group .....	50
Miscellaneous Group - Decals .....	54
Seat Group .....	56
Side Broom Group .....	58
Side Broom Group - Side Broom Lift .....	60
Steering Group .....	62
Steering Group - Tilt Steering .....	64

# AXLE, BRAKES, & WHEEL GROUP

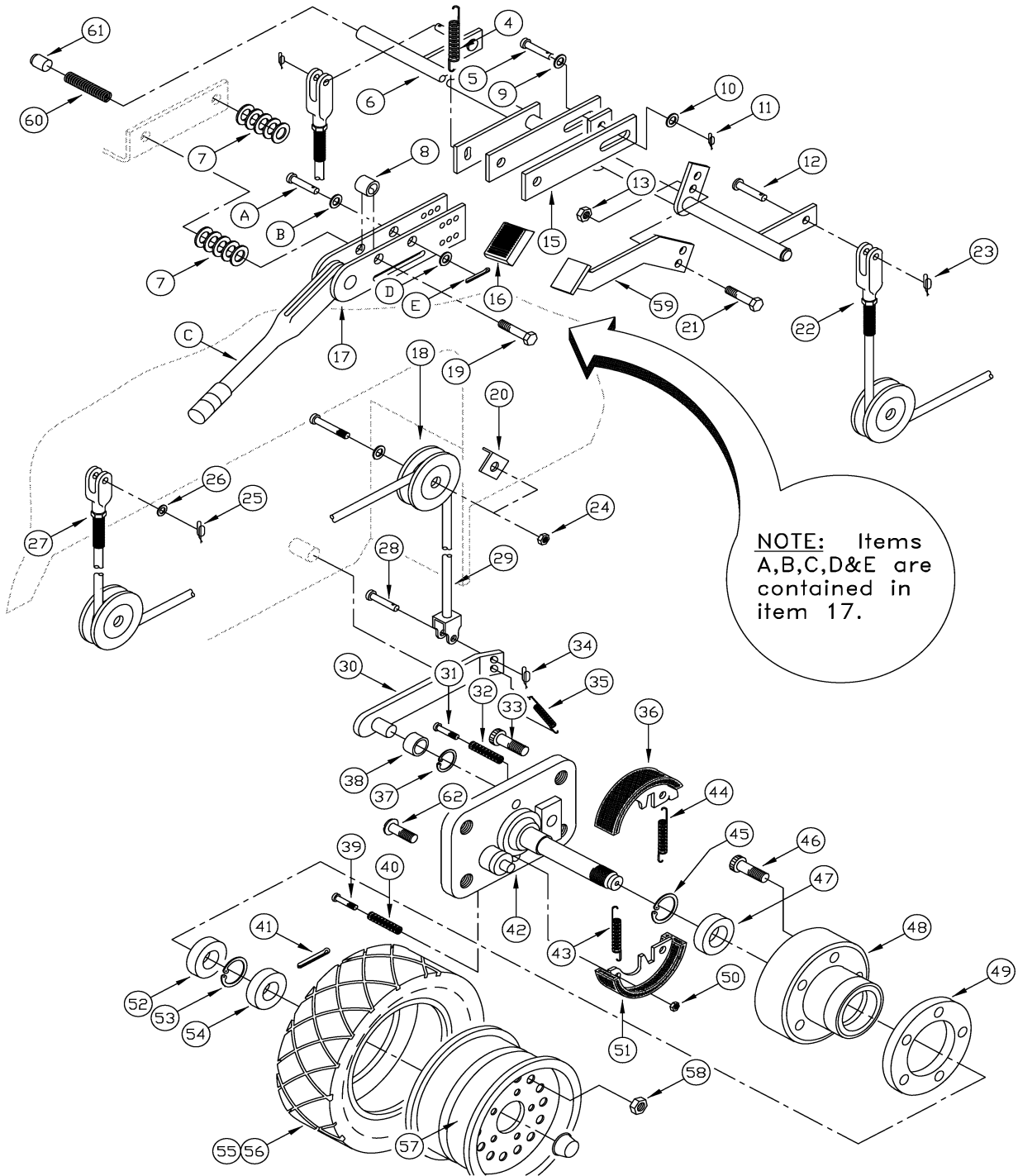


030PC001

**AXLE, BRAKES, & WHEEL GROUP**

REF#	PART #	DESCRIPTION	QUANTITY
4	301521	SPRING - BRAKE ARM	1
5	400118	PIN - CLEVIS 5/16 X .88	2
6	318328	WELD - BRAKE BAR SW/72	1
7	400087	WASHER - FLAT 3/8 STANDARD ZP	10
8	318422	SHIM - HAND BRAKE SW/72	1
9	400088	WASHER - FLAT 5/16	2
10	400088	WASHER - FLAT 5/16	1
11	400125	RING - RUE 3/8	3
12	400185	PIN - CLEVIS 5/16 X 1.25	2
13	400080	NUT - HEX 5/16 - 18 ES ZP	1
15	301102	INTERIOR - WD TANK SS MS	1
16	300413	PAD - RUBBER BRAKE PEDAL	1
17	303169	HAND BRAKE - PURCHASED	1
18	304760	PULLEY - CABLE HYD BRAKE	4
19	400311	SCR - HEX 5/16-18 X 1.75	2
20	306460	RETAINER - CABLE HYD BRAKES	4
21	400035	SCR - HEX 5/16-18 X 1.00 ZP	1
22	307642	CLEVIS 5/16-24	4
23	400125	PIN - COTTER 3/8 RUE RING	1
24	400068	NUT - HEX 3/8-16	4
25	400125	PIN - COTTER 3/8 RUE RING	1
26	400088	WASHER - FLAT 5/16	1
27	307642	CLEVIS 5/16 PLTD SW/A	1
28	400118	PIN - CLEVIS 5/16 X 7/8 ZP	1
29	313211	CABLE - BRAKE SW/62 GAS/DSL	1
30	300870	ASSY - BRAKE LEVER PLTD	1
31	400060	SCR - THEM #8-32 X 3.00	2
32	301518	SPRING - COMP BRAKE SHOE	2
33	400006	SCR - SOC 5/8-11 X 1.00, BUTTON	6
34	400125	PIN - COTTER 3/8 RUE RING	1
35	301517	SPRING - EXT BRAKE LEVER	2
36	300523	SHOE - BRAKE W/LINING	2
37	300484	RING - RET EXT .87	1
38	300410	BUSHING 1.00 OD X .87 ID	1
39	400060	SCR - THM #8 - 32 X 3.00 SS	1
40	301518	SPRING - COMP BRAKE SHOE	1
41	400120	PIN - COTTER 5/16 X 2.00	1
42	300852	ASSY - FRONT AXLE	1
43	301519	SPRING - EXT BRAKE SHOE	2
44	301519	SPRING - EXT BRAKE SHOE	2
45	300473	RING - RETAINER INT 2.44	2
46	300415	STUD - WHEEL HUB	5
47	300467	BEARING - BALL 2.44 X 1.18 ID	2
48	300787	HUB - FRONT WHEEL	1

# AXLE, BRAKES, & WHEEL GROUP

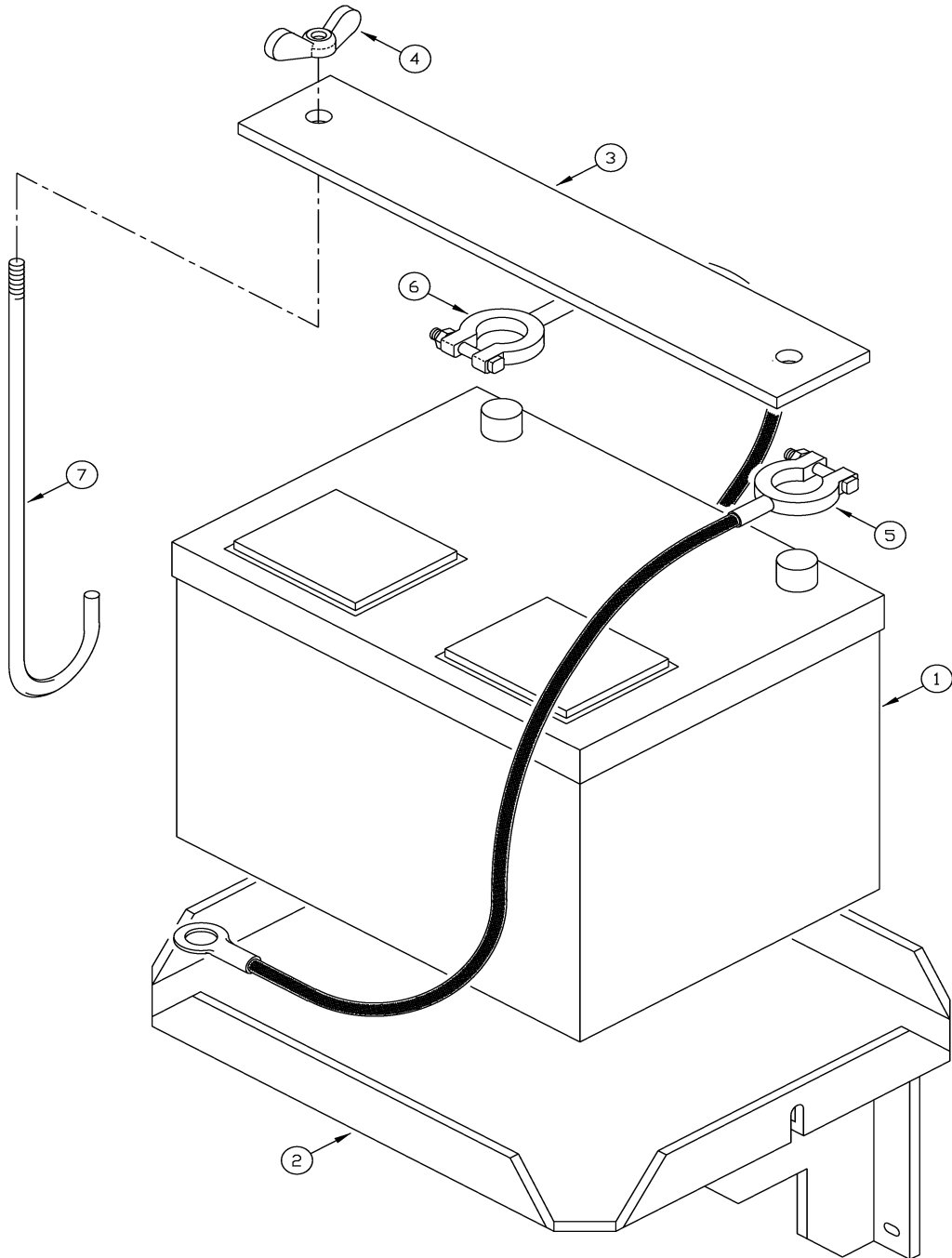


030PC001

**AXLE, BRAKES, & WHEEL GROUP**

REF#	PART #	DESCRIPTION	QUANTITY
49	303673	SPACER - FNT TIRE MICHELIN PLTD	1
50	400082	NUT - HEX ES #8-32	2
51	300523	SHOE - BRAKE W/LINING	1
52	300467	BEARING - BALL 2.44 X 1.18 ID	1
53	300473	RING - RET INT 2.44	1
54	300876	SPACER - AXLE FRONT PLTD	1
55	317397	ASSY - TIRE SOLID 18"	1
56	*	PART OF #55	1
57	*	PART OF #55	1
58	300411	NUT - WHEEL LUG	10
59	318461	WELD - BRAKE PEDAL W/ARM SW/72	1
60	318414	SPRING - C0720-081-1250-S SW/72	1
61	318412	PLUG - BRAKE ROD SW/72	1
62	400011	SCR - SOC FLT 5/8-11 X 1.00	2

# BATTERY GROUP



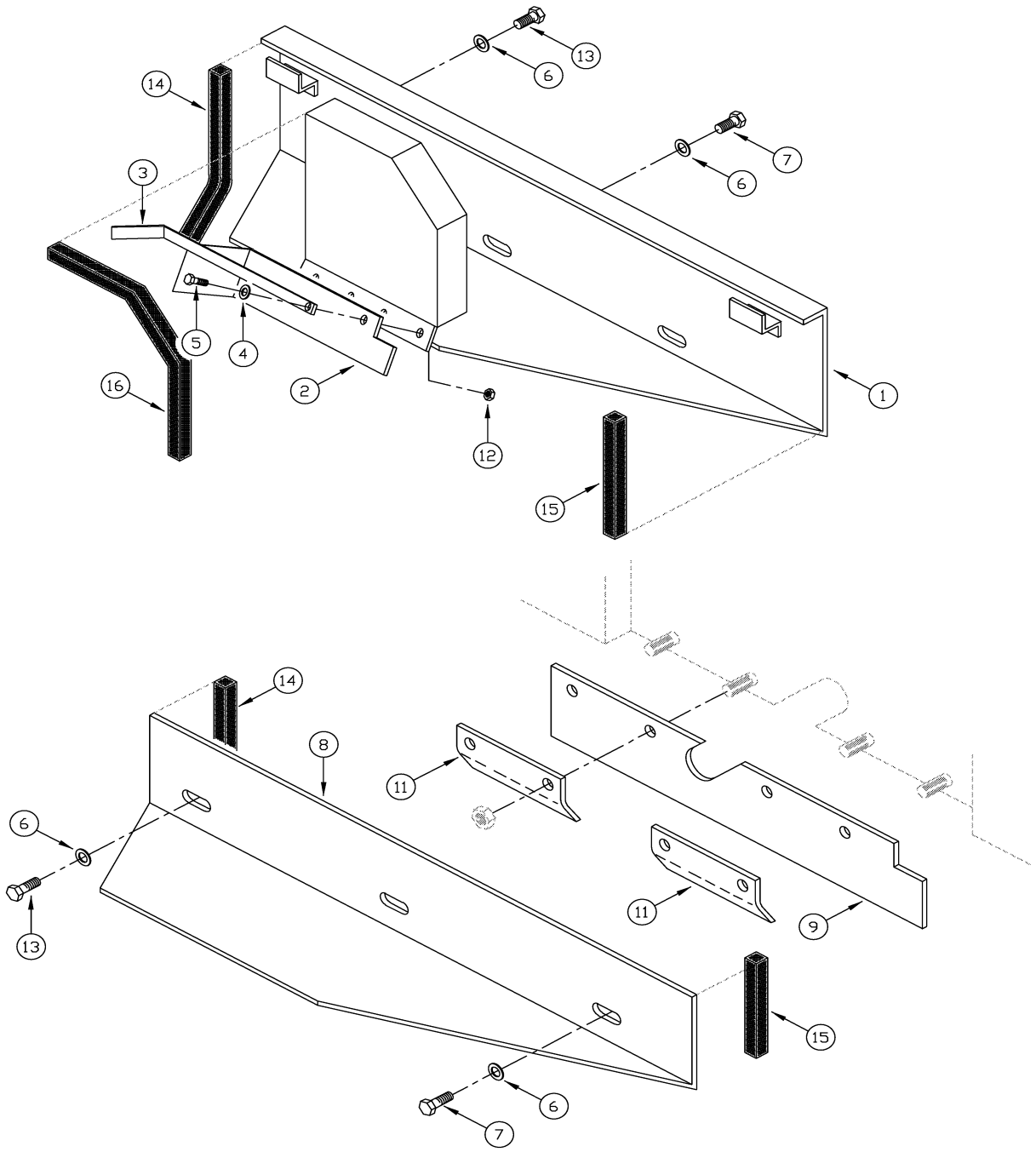
500PC001



## BATTERY GROUP


REF#	PART #	DESCRIPTION	QUANTITY
1	300440	BATTERY - GAS ENGINE	1
2	300210	ASSY - BATTERY MNT PNTD	1
3	301076	HOLD DOWN - BATTERY 2-PIECE	1
4	400055	SCR-SET, #10 - 24 X 10 X .31 ZP	1
5	307634	ASSY - BATTERY CABLE ARMA NEG	1
6	307633	ASSY - BATTERY CABLE ARMA POS	1
7	301079	ROD - BATTERY TIE-DOWN PLTD	1

# BODY (SHEET METAL) GROUP - SIDE BROOM DOOR

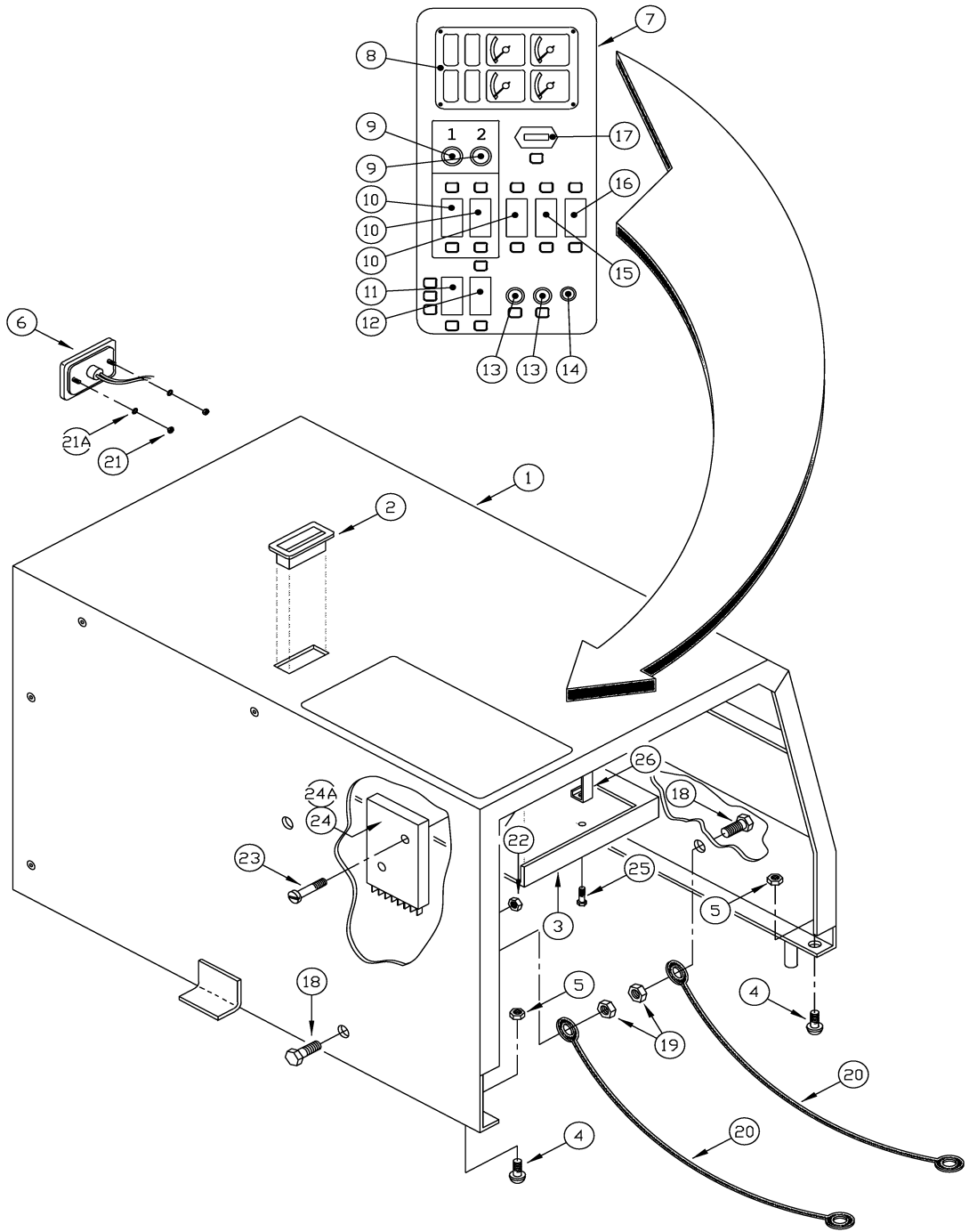


012PC001

**BODY (SHEET METAL) GROUP - SIDE BROOM DOOR**

REF#	PART #	DESCRIPTION	QUANTITY
1	311278	ASSY - RT SIDE DOOR PNTD	1
2	311432	FLAP - RT BROOM DOOR	1
3	311329	STRAP - RIGHT DOOR RETAINER PNTD	1
4	400088	WASHER - FLAT 5/16 STANDARD ZP	1
5	400035	SCR - HEX, 5/16 - 18 X 1.00 ZP	1
6	311327	WASHER - .390 ID X 1.12 OD NYLON	1
7	400790	SCREW - BHSCS .375 - 16 X 1	1
8	311275	ASSY - SIDE DOOR LEFT PNTD	1
9	311429	FLAP - LT BROOM DOOR 	1
11	311430	STRAP - BRM DOOR LH FRT/REAR	1
12	400080	NUT - HEX 5/16 - 18 ES ZP	1
13	400790	SCREW - BHSCS .375 - 16 X 1	1
14	311465	SEAL - SIDE DOOR FRONT	1
15	311466	SEAL - SIDE DOOR REAR	1

# BODY (SHEET METAL) GROUP - ENGINE COVER

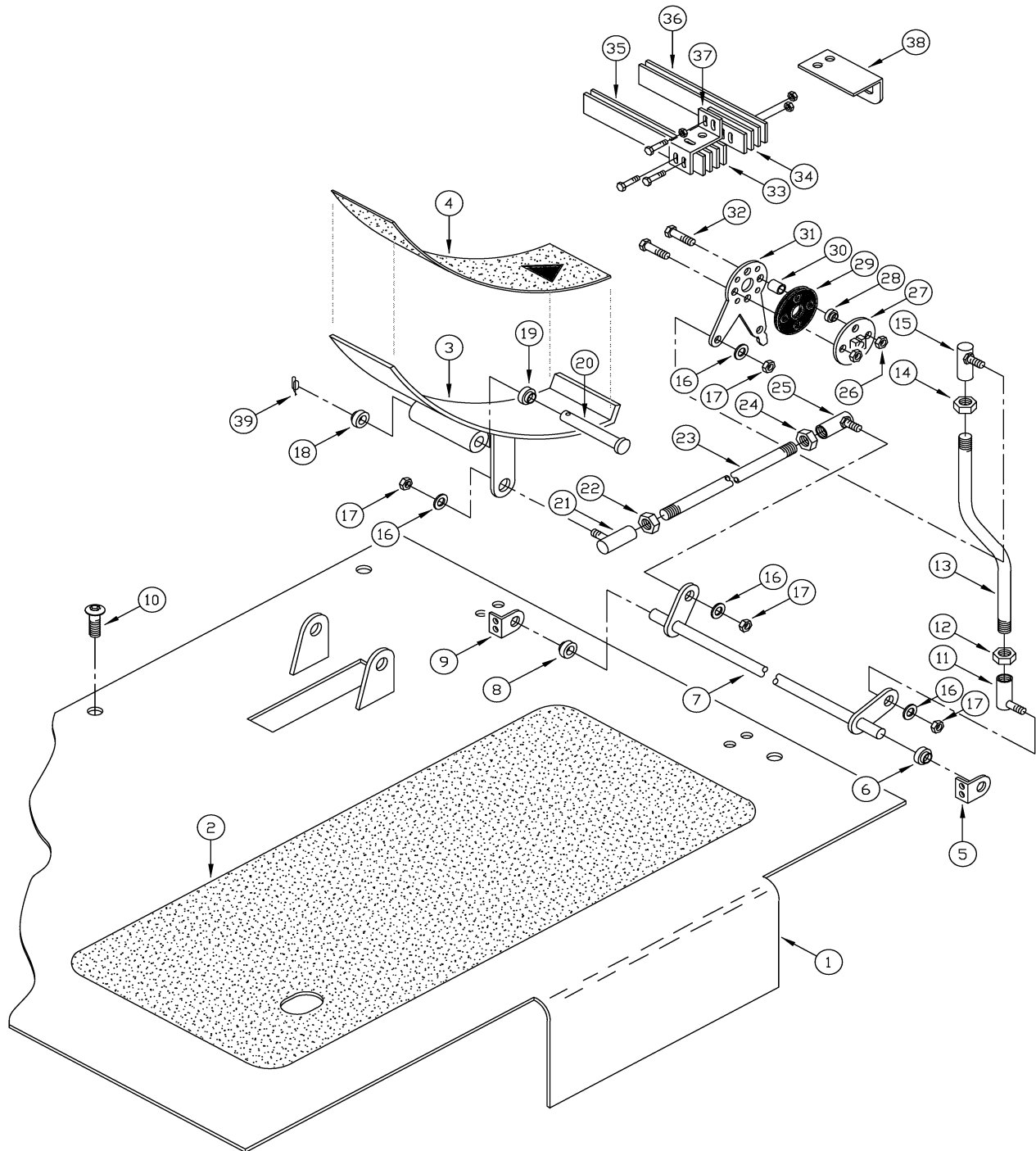


012PC002

**BODY (SHEET METAL) GROUP - ENGINE COVER**

REF#	PART #	DESCRIPTION	QUANTITY
1	318353	WELD - ENGINE CLIP SW/72	1
2	311371	PULL - REAR CLIP	1
3	318496	WELD - INST PANEL COVER SW/72	1
4	312413	BUMPER - RUBBER .88 DIA 10 - 32 X .5	2
5	400072	NUT - HEX #10 - 32 ZP	2
6	311373	LIGHT - REAR TAIL RED	1
7	318370	DECAL - ENGINE CLIP SW/72	1
	400104	WASHER - LOCK #SPLIT ZP	4
	400724	SCR - FHC #10 - 32 X .75 LG	1
8	315914	GAUGE PANEL - STEWART WARNER 4GC	1
9	301553	LIGHT - TRASH RELOCATOR	2
10	307553	SWITCH - ROCKER ENG SWING AREA	3
11	315818	SWITCH - ROCKER ELEC GOV	1
12	307552	SWITCH - ROCKER LIGHTS ARMA	2
13	300441	SWITCH - MOMENTARY STARTER	2
14	026924	CIRCUIT BREAKER - 45 AMP	1
15	318514	SWITCH - SPDT ROCKER	1
16	318483	SWITCH - DPST ROCKER	1
17	315336	HOUR METER - HOBBS 85094-12	1
18	400042	SCR - HEX, 1/4 - 20 X 0.75 ZP	2
19	400081	NUT - HEX 1/4 - 20 ES ZP	2
20	304032	CABLE - REAR COVER SW75	2
21	400072	NUT - HEX #10 - 32 ZP	2
21A	400104	WASHER - LOCK #10 SPLIT ZP	4
22	400480	NUT - HEX 10-24	2
23	400268	SCR - PAN, #10 - 24 X 0.75 PHL	2
24	322599	FUSE BLOCK - ATO FUSE	1
24A	322601	FUSE - 15 AMP ATO	6
25	400059	SCR - THM 1/4 - 20 X .75 SS	1
26	322191	INSERT - 1/4 - 20 UNC	3

# DIRECTIONAL CONTROL GROUP



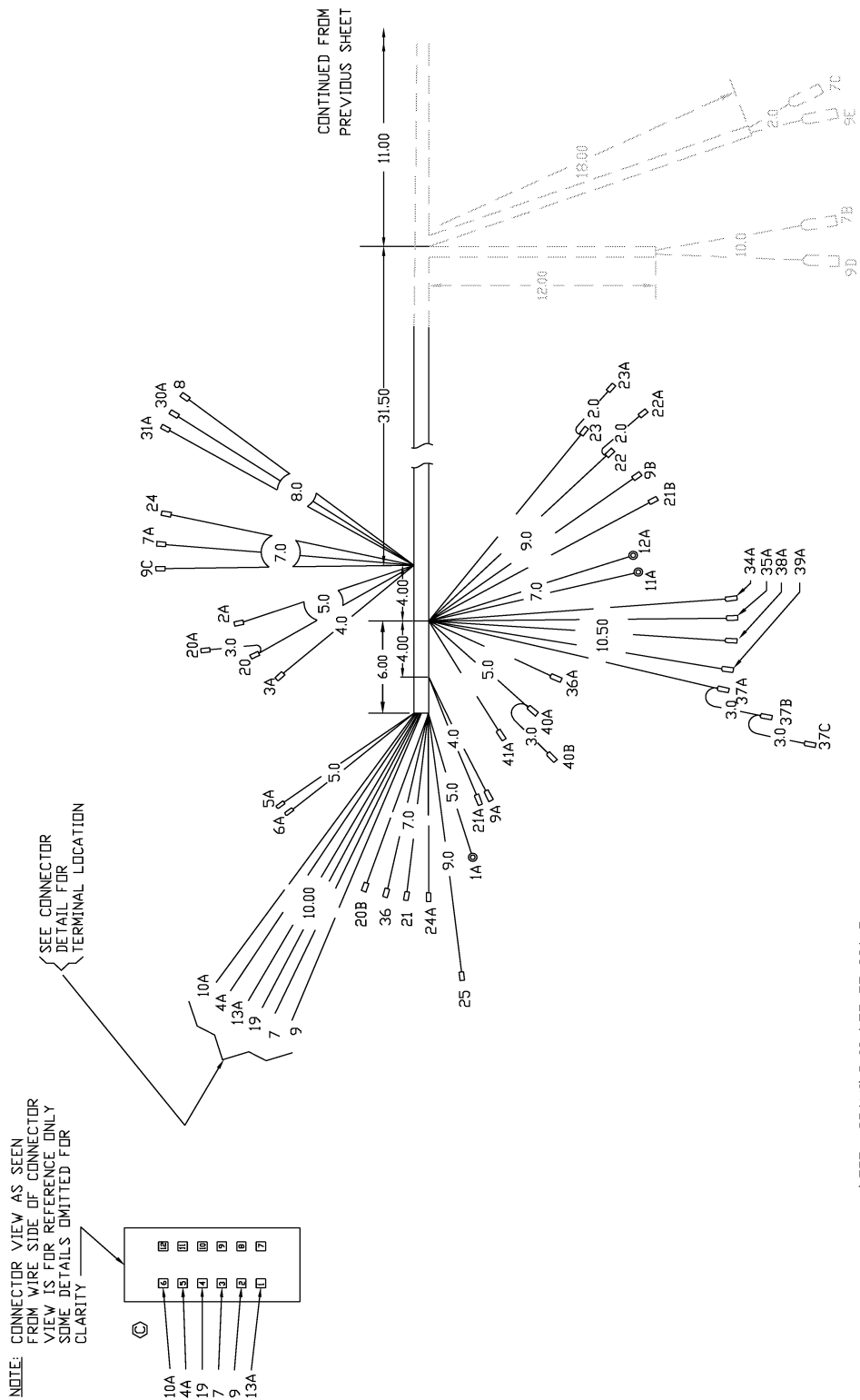
060PC001

## DIRECTIONAL CONTROL GROUP

REF#	PART #	DESCRIPTION	QUANTITY
1	318404	WELD - FLOOR PAN SW/72	1
2	307587	FLOOR MAT - SMALL SW/A	1
3	300737	ASSY - PEDAL FWD / REV PNTD	1
4	300544	PAD - FOOT PEDAL	1
5	307223	MNT - BUSHING DIR CONT SW/A	1
6	307220	BEARING - DIR CONTROL SW/A	1
7	318430	WELD - DIR TORQUE TUBE SW/72	1
8	307220	BEARING - DIR CONTROL SW/A	1
9	307223	MNT - BUSHING DIR CONT SW/A	1
10	400790	SCREW - BHSCS .375 - 16 X 1	1
11	300461	BALL JOINT - 3/8 - 24 W/ DUST COV	1
12	400067	NUT - HEX 3/8-24 ZP	1
13	318405	ROD - DIR CONTROL LONG SW/72	1
14	400067	NUT - HEX 3/8-24 ZP	1
15	400461	PIN - ROLL 7/32 X 1.50 ZP	1
16	400101	WASHER - LOCK 3/8 SPLIT ZP	1
17	400067	NUT - HEX 3/8-24 ZP	1
18	300414	BUSHING - PLASTIC MN BRM	1
19	300414	BUSHING - PLASTIC MN BRM	1
20	400114	PIN - CLEVIS 3/8 X 4.00 ZP	1
21	300461	BALL JOINT - 3/8 - 24 W/ DUST COV	1
22	400067	NUT - HEX 3/8-24 ZP	1
23	318431	ROD - DIR CONTROL SHT SW/72	1
24	400067	NUT - HEX 3/8-24 ZP	1
25	400461	PIN - ROLL 7/32 X 1.50 ZP	1
26	400080	NUT - HEX 5/16-18 ES ZP	1
27	301544	WELDMENT - DISC FWD/REV PLTD	1
28	300526	BUMPER - RUBBER 1/4 ID X 1/8 THK	1
29	301507	COUPLING - LORD DIR/CONTROL	1
30	300339	SLEEVE - SQ & FWD/REV	1
31	318138	ARM - FWD/REV DIRECT CONTROL	1
32	400231	SCR - HEX , 5/16 - 18 X 2.0 ZP	1
33	303918	SPACER - FWD/REV BRKT PLTD	1
34	303918	SPACER - FWD/REV BRKT PLTD	1
35	300543	SPRING - RETURN	1
36	300543	SPRING - RETURN	1
37	302115	BRKT - FWD/REV PLTD	1
38	307696	BRACKET - DIREC. CONTROL	1
39	400125	PIN - COTTER 3/8 RUE-RING	1



# ELECTRICAL SCHEMATIC - WIRING HARNESS



601PC002



# ELECTRICAL SCHEMATIC - WIRING HARNESS

**NOTE:**

ALL WIRE TO BE SAE- J128 TYPE SXL  
 ALL WIRES TO BE MARKED AS INDICATED ON NUMBERS ONLY  
 SEPARATE WIRE LENGTHS SHOWN ARE TO THE CENTER  
 OF THE LOOP CONNECTORS, TO THE WIRE SIDE OF THE GAGE  
 CONNECTORS, AND TO THE FAR END IF ALL OTHER CONNECTORS

IP STEWART WARNER TERMINAL #835859 OR EQUIVALENT (6 REQ)  
 W/STEWART WARNER 835858 OR PACKARD 2984792 CONNECTOR  
 SP CANFIELD CONNECTOR #5300-108000 W/2 WIRE GRDNET  
 XX PACKARD ELECTRIC # 12015792 BODY (1 EA)  
 # 12124580 TERMINAL (2 EA)  
 # 12015323 SEALS (2 EA)

▲ PACKARD ELECTRIC # 8911772  
 □ .156 MALE BULLET CONNECTOR  
 \*\*\* #10 50 FEMALE CONNECTOR W/MOLDED COVER  
 \*\* AMP INCORPORATED ALTERNATOR CONNECTOR KIT #162455

Ⓚ KIT  
 CONTENTS  
 # 341352 HOUSING (1EA)  
 # 341353 CAP (1EA)  
 # 180429-1 250 SERIES FASTON RECEPTACLE (2EA)  
 # 151791-1 .375 SERIES FASTON RECEPTACLE (2EA)

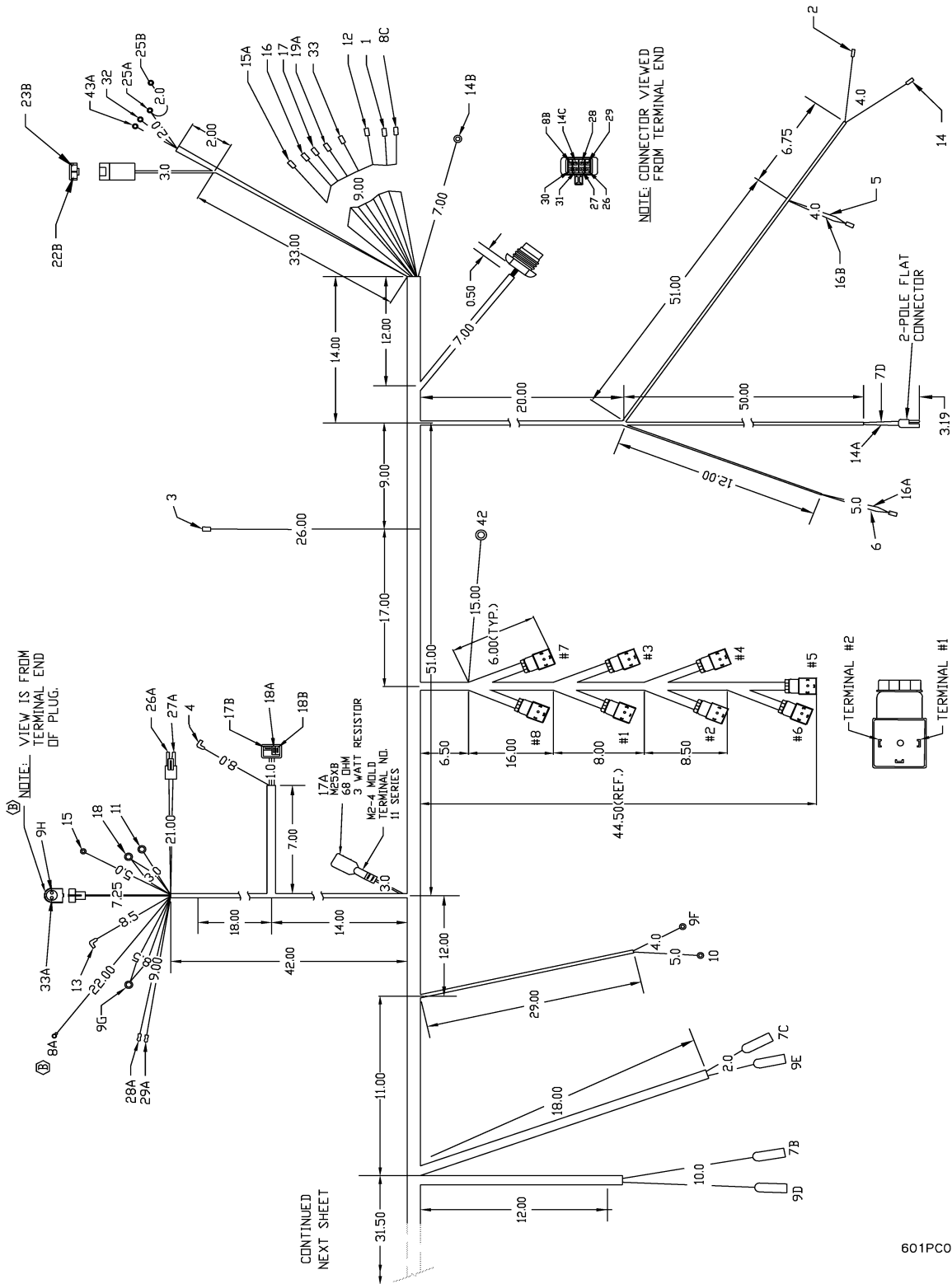
\* .156 FEMALE BULLET CONNECTOR  
 ▲ DURAKOOL INC. MERCURY SWITCH #4172-003  
 < CONNECTOR ENGINE SYSTEM FERR #E9JL-144725-AB  
 Ⓚ CONTENTS  
 #E7TB-144464-GA SHELL (1 EA)  
 #H8EB-14468-BA WEDGE (1 EA)  
 #E8EB-14488-BA TERMINAL (2 EA)

□ W2-4 MOLD TERMINAL NO. 11 SERIES SAE TERMINAL NO J928A TYPE 1 PINS  
 WITH #25X8 68 OHM 3 WATT RESISTOR INSIDE W2-5A MOLD (BLACK IN COLOR)  
 OR EQUIVALENT RESISTOR & COVER

> 2-POLE FLAT CONNECTOR WAYTECH 37110 OR EQUIVALENT  
 ++ PACKARD ELECTRIC #12047937 BODY (1 EA)  
 #12048074 TERMINAL (8 EA)  
 #12066304 RETAINER (1 EA)  
 #12048086 SEALS (8 EA)

Pin	Color	Terminal	Component	Wire	Length	Notes
1	WHITE	41450	IGN SWITCH (ACC)	---	---	
1A	BLUE	B004	IGN FUSE STUD TERMINAL	---	---	
2	BLUE	14	FILTER SHAKER MOTOR	---	---	
2A	RED	41450	IGN SWITCH ACC	---	---	
3	BLACK	14	FILTER SHAKER MOTOR	---	---	
3A	RED	41450	IGN SWITCH ACC	---	---	
4	GREEN	16	TEMP. SENSOR	---	---	
4A	RED/WHI	17	IGNITION SWITCH	---	---	
5	PINK	16	TEMP. SENSOR	---	---	
5A	RED/WHI	17	IGNITION SWITCH	---	---	
6	PURPLE	16	TEMP. SENSOR	---	---	
6A	RED/WHI	17	IGNITION SWITCH	---	---	
7	BROWN	14	INST/PANEL PLUG #4 TERM	---	---	
7A	BROWN	14	INST/PANEL PLUG #4 TERM	---	---	
7B	BROWN	14	INST/PANEL PLUG #4 TERM	---	---	
7C	BROWN	14	INST/PANEL PLUG #4 TERM	---	---	
7D	BROWN	14	INST/PANEL PLUG #4 TERM	---	---	
8	RED/GRY	14	INST/PANEL PLUG #4 TERM	---	---	
8A	RED/GRY	14	INST/PANEL PLUG #4 TERM	---	---	
8B	RED/GRY	14	INST/PANEL PLUG #4 TERM	---	---	
8C	RED/GRY	14	INST/PANEL PLUG #4 TERM	---	---	
8D	RED/GRY	14	INST/PANEL PLUG #4 TERM	---	---	
9	BLACK	14	INST/PANEL PLUG #4 TERM	---	---	
9A	BLACK	14	INST/PANEL PLUG #4 TERM	---	---	
9B	BLACK	14	INST/PANEL PLUG #4 TERM	---	---	
9C	BLACK	14	INST/PANEL PLUG #4 TERM	---	---	
9D	BLACK	14	INST/PANEL PLUG #4 TERM	---	---	
9E	BLACK	14	INST/PANEL PLUG #4 TERM	---	---	
9F	BLACK	14	INST/PANEL PLUG #4 TERM	---	---	
9G	BLACK	14	INST/PANEL PLUG #4 TERM	---	---	
9H	BLACK	14	INST/PANEL PLUG #4 TERM	---	---	
10	OR GRN	16	INST/PANEL PLUG #1 TERM	---	---	
10A	OR GRN	16	INST/PANEL PLUG #1 TERM	---	---	
11	OR GRN	16	INST/PANEL PLUG #1 TERM	---	---	
11A	OR GRN	16	INST/PANEL PLUG #1 TERM	---	---	
12	OR GRN	16	INST/PANEL PLUG #1 TERM	---	---	
12A	OR GRN	16	INST/PANEL PLUG #1 TERM	---	---	
13	OR GRN	16	INST/PANEL PLUG #1 TERM	---	---	
13A	OR GRN	16	INST/PANEL PLUG #1 TERM	---	---	
14	OR GRN	16	INST/PANEL PLUG #1 TERM	---	---	
14A	OR GRN	16	INST/PANEL PLUG #1 TERM	---	---	
14B	OR GRN	16	INST/PANEL PLUG #1 TERM	---	---	
14C	OR GRN	16	INST/PANEL PLUG #1 TERM	---	---	

# ELECTRICAL SCHEMATIC - WIRING HARNESS (CONT.)



NOTE: VIEW IS FROM TERMINAL END OF PLUG.

NOTE: CONNECTOR VIEWED FROM TERMINAL END

NOTE: SOLENOID CONNECTOR SHOWN WITH SOME DETAIL OMITTED FOR CLARITY. VIEW IS FROM THE TERMINAL SIDE.

NOTE: DRAWING IS NOT TO SCALE.

CONTINUED NEXT SHEET

601PC001

# ELECTRICAL SCHEMATIC - WIRING HARNESS (CONT.)

**NOTE:**

ALL WIRE TO BE S.A.E. J128 TYPE SXL  
 ALL WIRES TO BE MARKED AS INDICATED NUMBERS ONLY  
 SEPARATE WIRE LENGTHS SHOWN ARE TO THE CENTER  
 OF THE LOOP CONNECTORS TO THE WIRE SIDE OF THE GANG  
 CONNECTORS, AND TO THE FAR END OF ALL OTHER CONNECTORS.

IP STEWART WARNER TERMINAL #83889 OR EQUIVALENT (6 REQ)  
 W/STEWART WARNER 835958 OR PACKARD 2984792 CONNECTOR  
 SP CANFIELD CONNECTOR #5300-108000 W/2 WIRE GROMMET

XX PACKARD ELECTRIC # 12015792 BODY (1 EA)  
 # 12124580 TERMINAL (2 EA)  
 # 12015323 SEALS (2 EA)

▲ PACKARD ELECTRIC # 891772  
 □ .156 MALE BULLET CONNECTOR  
 \*\*\* #10 90° FEMALE CONNECTOR W/MOLDED COVER  
 \*\* AMP INCORPORATED ALTERNATOR CONNECTOR KIT #152455

KIT CONTENTS  
 # 341353 CAP (1EA)  
 # 180429-1 250 SERIES FASTON RECEPTACLE (1EA)  
 # 151791-1 .375 SERIES FASTON RECEPTACLE (2EA)

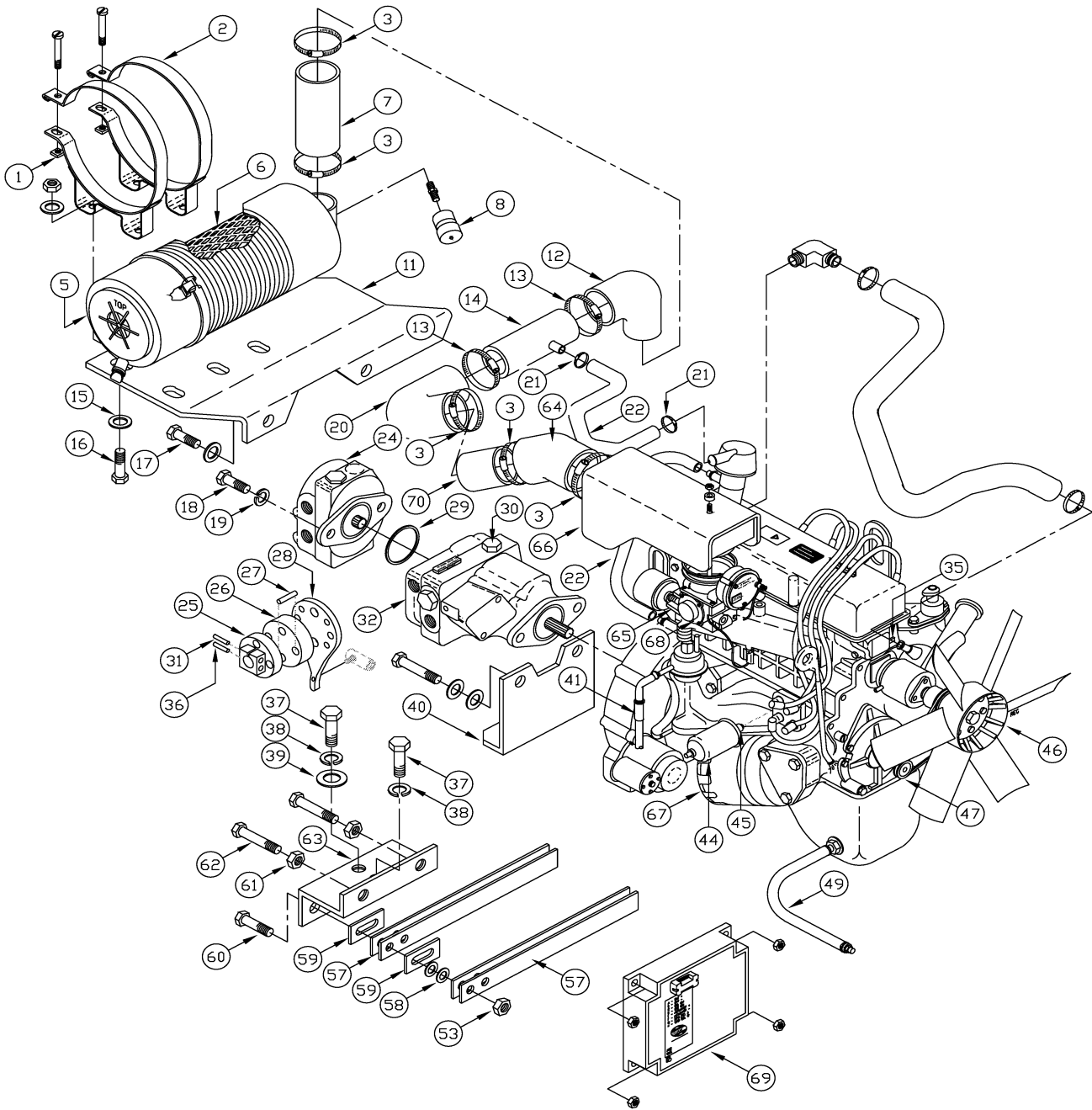
\* .156 FEMALE BULLET CONNECTOR  
 ▲ DURAKOD, INC. MERCURY SWITCH #41/2-003  
 < CONNECTOR ENGINE SYSTEM FORD #E9JL-144725-AB  
 CONTENTS  
 #E77B-144464-04 SHELL (1 EA)  
 #18E8B-14468-BA WEDGE (1 EA)  
 #E8E8B-14488-BA TERMINAL (2 EA)

□ #P-4 MOLD TERMINAL NO. 11 SERIES SAE TERMINAL NO J928A TYPE 1 PINS  
 WITH #25X8 68 OHM 3 WATT RESISTOR INSIDE #P-5A MOLD (BLACK IN COLOR)  
 OR EQUIVALENT RESISTOR & COVER

> 2-PILE FLAT CONNECTOR WAYTECH 37110 OR EQUIVALENT  
 ++ PACKARD ELECTRIC #12047937 BODY (1 EA)  
 #12048074 TERMINAL (8 EA)  
 #12066304 RETAINER (1 EA)  
 #12048086 SEALS (8 EA)

WIRE NO.	COLOR	FROM	TO	TERMINAL
1	WHITE	4/450 10 IGN SWITCH (ACT)	31	BLU
2	BLUE	B004 10 FUSE PANEL STUD TERMINAL	32	RED
3	DK BLUE	4/450 10 FUSE PANEL STUD TERMINAL	33	RED
4	LT GREEN	16 14 FILTER SHAKER MOTOR	34	GRE/WHI
5	PINK	4/450 14 FILTER SHAKER BUTTON	35	GRE/VLV
6	PURPLE	4/450 14 HORN	36	RED
7	BROWN	4/450 14 HORN BUTTON	37	SP
8	RED/GRN	*** 16 TEMP. SENSOR	38	GRE/VLV
9	BLACK	IP 16 INSTR/PANEL PLUG #2 TERM.	39	GRE/YEL
10	DK GRN	4/450 14 INSTR/PANEL PLUG #4 TERM.	40	ORANGE
11	SLD W/WHI	4/450 12 HEADLIGHT SWITCH	41	DMG/WHI
12	SLD W/WHI	4/450 12 HALLIGHT LH (+)	42	BLACK
13	SLD W/WHI	4/450 12 HALLIGHT RH (+)	43	DMG/BLK
14	BLACK	> 2-PILE FLAT CONNECTOR	44	BLACK
15	RED/BLU	4/450 14 THROTTLE SWITCH CENTER +	45	RED/BLU
16	RED	B004 14 CHOKE & CARBURETOR	46	RED
17	IP	IP 14 PACKARD PLUG 'A'	47	IP
18	4/450 14 INSTR/PANEL PLUG #5 TERM.	48	4/450 14 HOUR METER (+)	
19	4/450 14 HOUR METER (+)	49	4/450 14 CURB BROW SWITCH #8 TERM.	
20	20A RED/VLV	4/450 12 FILLER SHAKER BUTTON	50	4/450 14 CURB BROW SWITCH #9 TERM.
21	21A RED/GRN	4/450 12 FILLER SHAKER BUTTON	51	4/450 14 CURB BROW SWITCH #10 TERM.
22	22A GRE/Y	4/450 12 FILLER SHAKER BUTTON	52	4/450 14 CURB BROW SWITCH #11 TERM.
23	23A GRE/VLV	4/450 12 FILLER SHAKER BUTTON	53	4/450 14 CURB BROW SWITCH #12 TERM.
24	24A RED/BLU	4/450 12 HEADLIGHT SWITCH +	54	4/450 14 CURB BROW SWITCH #13 TERM.
25	25A RED	4/450 12 HEADLIGHT SWITCH +	55	4/450 14 CURB BROW SWITCH #14 TERM.
26	26A WHITE	4/450 12 HEADLIGHT SWITCH +	56	4/450 14 CURB BROW SWITCH #15 TERM.
27	27A WHI/BLK	4/450 12 HEADLIGHT SWITCH +	57	4/450 14 CURB BROW SWITCH #16 TERM.
28	28A YELLOW	4/450 12 HEADLIGHT SWITCH +	58	4/450 14 CURB BROW SWITCH #17 TERM.
29	29A YLV/BLK	4/450 12 HEADLIGHT SWITCH +	59	4/450 14 CURB BROW SWITCH #18 TERM.
30	30A BLUE/WHI	4/450 12 HEADLIGHT SWITCH +	60	4/450 14 CURB BROW SWITCH #19 TERM.

# ENGINE GROUP - GASOLINE

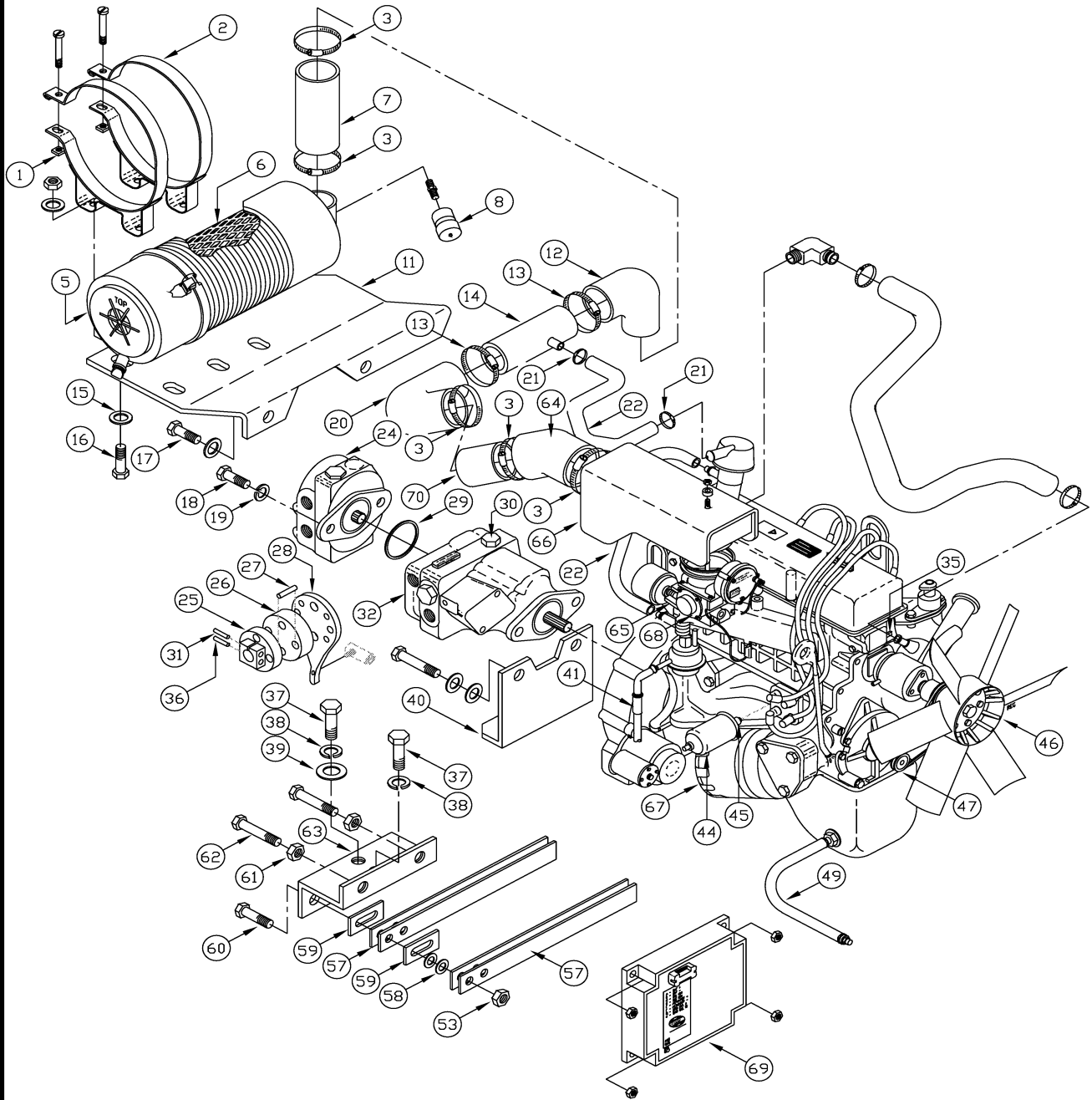


010PC001

## ENGINE GROUP - GASOLINE

REF#	PART #	DESCRIPTION	QUANTITY
1	400071	NUT - HEX 1/4 - 20 ZP	2
2	300459	BAND - MTG AIR CLEANER PNTD BLAC	2
3	044112	CLAMP - HOSE 2.50 MAX WORM	7
5	317917	AIR CLNR - RADIAL SEAL FPG STYLE	1
6	321143	ELEMENT - AIR CLNR PLASTIC (SP)	1
7	304641	TUBE - AIR INTAKE FORD 2.00	1
8	303991	INDICATOR - AIR CLEANER KIT	1
11	316227	MNT - AIR CLEANER FORD ARMA	1
12	303385	ADAPTER - 90 EL RUBBER 3.50 X 2.50	1
13	303255	CLAMP - HOSE 1 3/4 NOM	4
14	316230	ASSY - TUBE INTAKE FORD ARMA	1
15	400102	WASHER - LOCK 5/16 SPLIT ZP	10
16	400036	SCR - HEX 5/16 - 18 X 0.75 ZP	6
17	400611	SCR - HHM 10MM X 40MM LG ZP	2
18	400029	SCR - HEX 3/8 - 16 X 1.25 ZP	9
19	400101	WASHER - LOCK 3/8 SPLIT ZP	9
20	317374	HOSE - AIR CLEANER SW/9X FORD	1
21	303358	CLAMP - HOSE 9/16 NOM	
22	500139	HOSE - 5/8 ID EEC - PCV	
24	318500	PUMP - AUX 1.5 CUBIC INCH	1
25	301544	ASSY - DISC FWD/REV PLTD	1
26	301507	COUPLING - LORD DIR CNTRL	1
27	400231	SCR - HEX 5/16 - 18 X 2.0 ZP	2
28	318138	ARM - FWD/REV DIRECT CONTROL	1
29	303711	O-RING STATIC SEAL 3.239 ID	1
30	310054	VALVE - TOW OPTION	1
31	400027	SCR - HEX 3/8 - 16 X 1.75 ZP	1
32	303581	PUMP - MAIN VD FS	1
35	300386	SENDER - TEMP FORD	1
36	400173	SCR - HEX 1/4 - 20 X 1.75 ZP	1
37	400036	SCR - HEX 5/16 - 18 X 0.75 ZP	6
38	400102	WASHER - LOCK 5/16 SPLIT ZP	10
39	400088	WASHER - FLAT 5/16 STANDARD ZP	6
40	312231	MNT - FWD/REV DSL SW/62 PLTD	1
41	500104	HOSE - NEOPRENE 5/16 ID	
44	300387	SENDER - OIL PRESSURE	1
45	304622	FTG - REDUCER 1/4 MPT - 1/8 FPT	1
46	340154	FORD - FAN 6 BLADE (SP)	
47	340101	FORD - PULLEY CRK 2 GROOVE (SP)	
49	500135	HOSE - 1/2 ID EEC / PCV	
53	400081	NUT - HEX 1/4 - 20 ES ZP	10
57	300543	SPRING - RETURN	4
58	400089	WASHER - FLAT 1/4 STANDARD ZP	6
59	303918	SPACER - FWD/REV BRKT PLTD	2
60	400149	SCR - HEX 1/4 - 20 X 1.50 ZP	2
61	400069	NUT - HEX 5/16 - 24 ZP	2
62	400228	SCR - HEX 5/16 - 24 X 1.5 ZP FULL TH	2

# ENGINE GROUP - GASOLINE

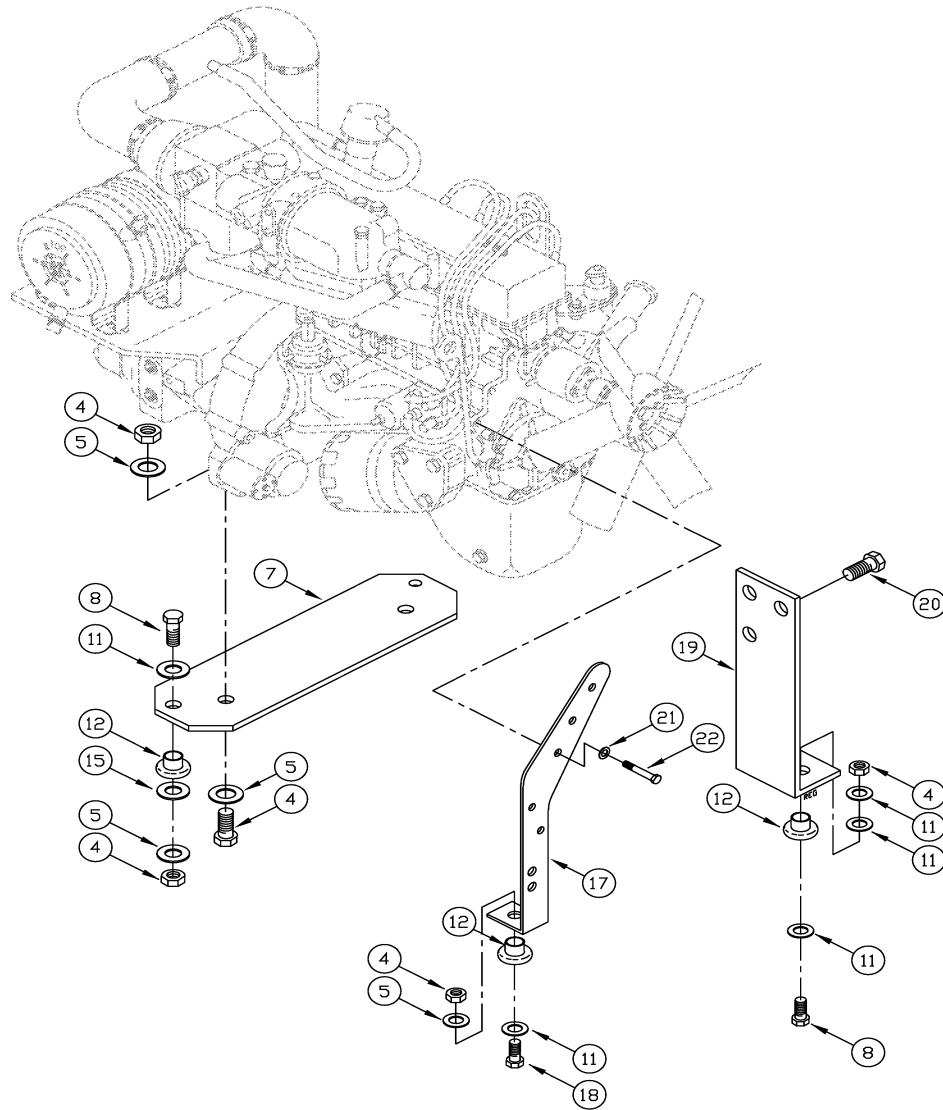


010PC001

## ENGINE GROUP - GASOLINE

REF#	PART #	DESCRIPTION	QUANTITY
63	302115	BRKT - FWD/REV PLTD	1
64	304649	SHAFT/BRG - W/PMP FORD 1.6L (SP)	1
65	302473	O-RING - CARBURETOR	1
66	313799	WELD - AIR INTAKE FORD	1
67	320019	FILTER - OIL FORD 1.3L DIS (SP)	1
68	322523	CARB - 1.3L DWN DRFT W/ACTUATOR	1
69	318552	CONTROLLER - IC - 2150	1
70	304641	TUBE - AIR INTAKE FORD 2.00	1

# ENGINE GROUP - GASOLINE



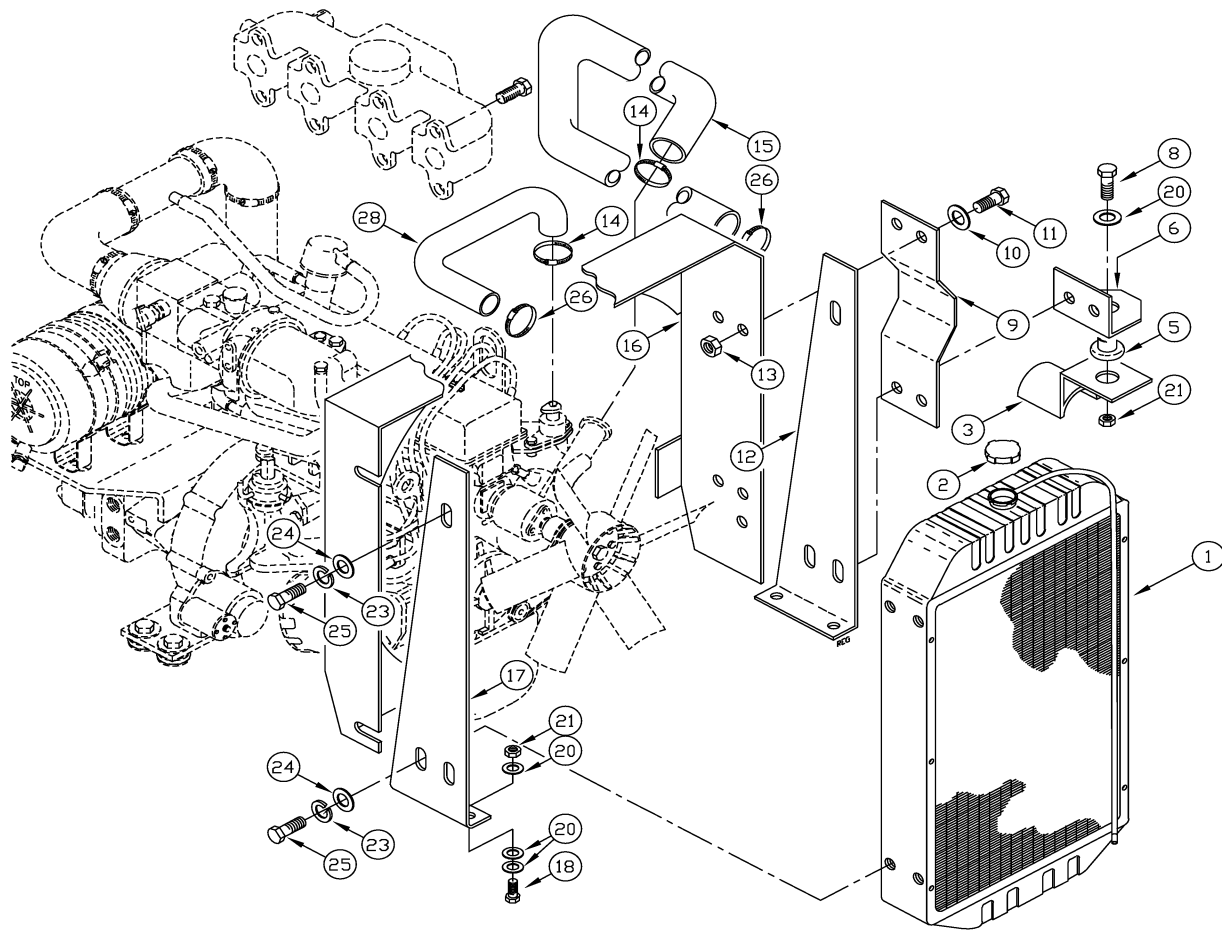
010PC002



**ENGINE GROUP - GASOLINE**

REF#	PART #	DESCRIPTION	QUANTITY
4	400065	NUT-HEX 1/2-13 ZP	4
5	400098	WASHER-LOCK 1/2 SPLIT ZP	4
7	318349	MOUNT - MOTOR REAR SW/72	1
8	400019	SCR-HEX 1/2-13X2.50 ZP	3
11	400091	WASHER-FENDER 1/2 ZP	3
12	300464	MOUNT-ISOLATION LARGE	4
15	306315	SPACER-ENG MNT FORD 1.3L PLTD	2
17	316169	MNT-ENG FRONT RH FORD ARMA	1
18	400020	SCR-HEX 1/2-13X2.00 ZP	3
19	316168	MNT-ENG FRONT LH FORD ARMA	1
20	400611	SCR-HHM 10 MM X 40 MM LG ZP	2
21	400101	WASHER-LOCK 3/8 SPLIT ZP	9
22	400030	SCR-HEX 3/8-16X1.00 ZP	4

# ENGINE GROUP - GASOLINE

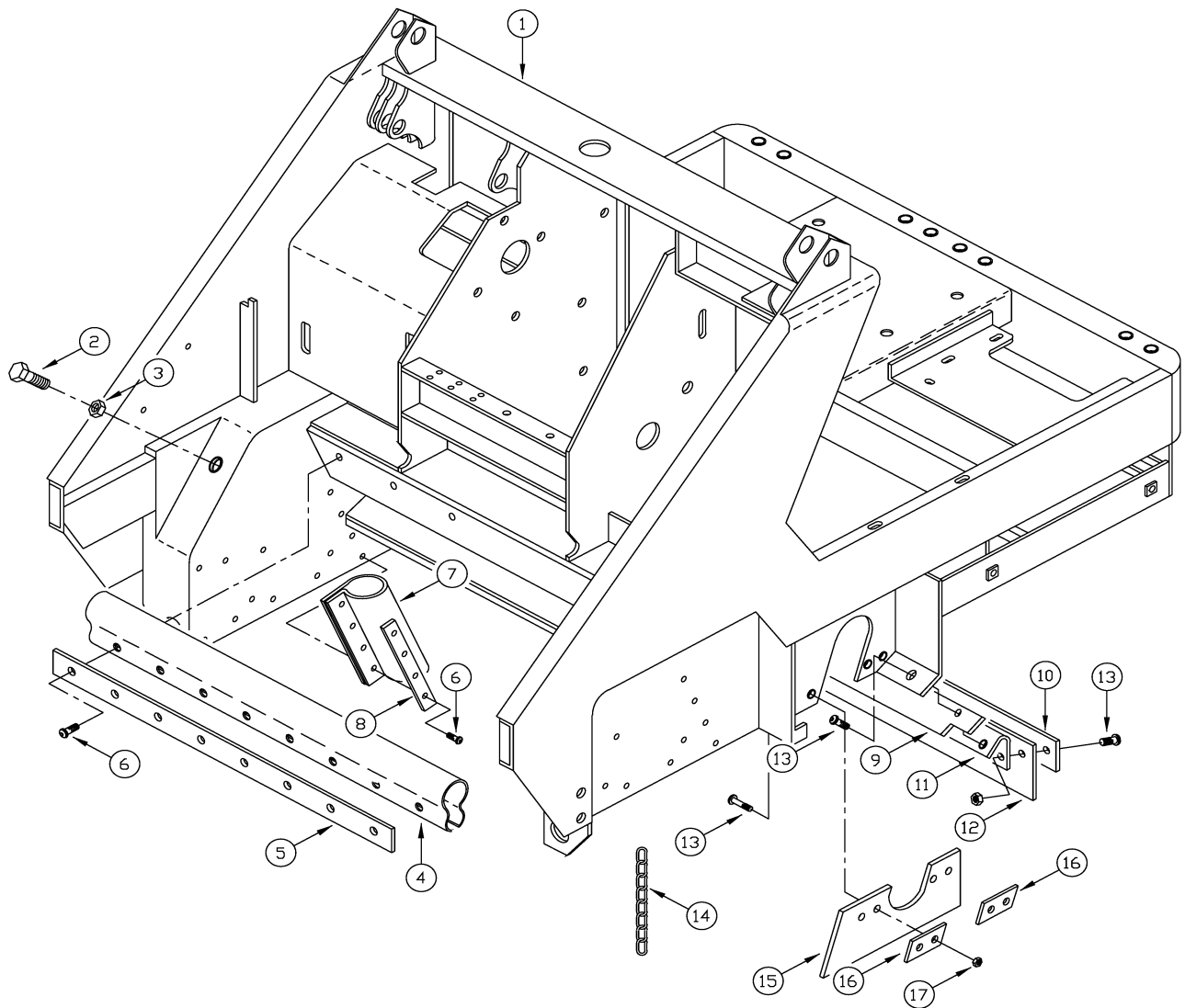


010PC003

**ENGINE GROUP - GASOLINE**

REF#	PART #	DESCRIPTION	QUANTITY
1	301995	RADIATOR-HEAVY DUTY	1
2	300420	CAP-RADIATOR	1
3	307798	BAR-MOUNT EXHAUST SW/A PLTD	1
5	300465	MOUNT-ISOLATION SMALL	1
6	307797	MNT-EXHAUST PIPE SW/A PNTD	1
8	400028	SCR-HEX 3/8-16X1.50 ZP	3
9	316173	STRAP-SHROUD RAD FORD ARMA	1
10	400383	WASHER-CONICAL SPRING 1/4	8
11	400043	SCR-HEX 1/4-20X.50 ZP	4
12	307175	MNT RH-RADIATOR SW/A PNTD	1
13	400063	NUT-FLANGE LOCK 1/4-20 ZP	8
14	302193	CLAMP-HOSE 1.25 NOM	2
15	317672	HOSE-RADIATOR LOWER 1.3L FORD	1
16	317667	ASSY-SHROUD RAD FORD 1.3L	1
17	307176	MNT LH-RADIATOR SW/A PNTD	1
18	400029	SCR-HEX 3/8-16X1.25 ZP	9
20	400278	WASHER-FENDER 3/8	13
21	400079	NUT-HEX 3/8-16 ES ZP	5
23	400102	WASHER-LOCK 5/16 SPLIT ZP	10
24	400088	WASHER-FLAT 5/16 STANDARD ZP	6
25	400036	SCR-HEX 5/16-18X0.75 ZP	6
26	303255	CLAMP-HOSE 1 3/4 NOM.	4
28	317658	HOSE - RADIATOR UPPER 1.3L FORD	1

# FRAME GROUP

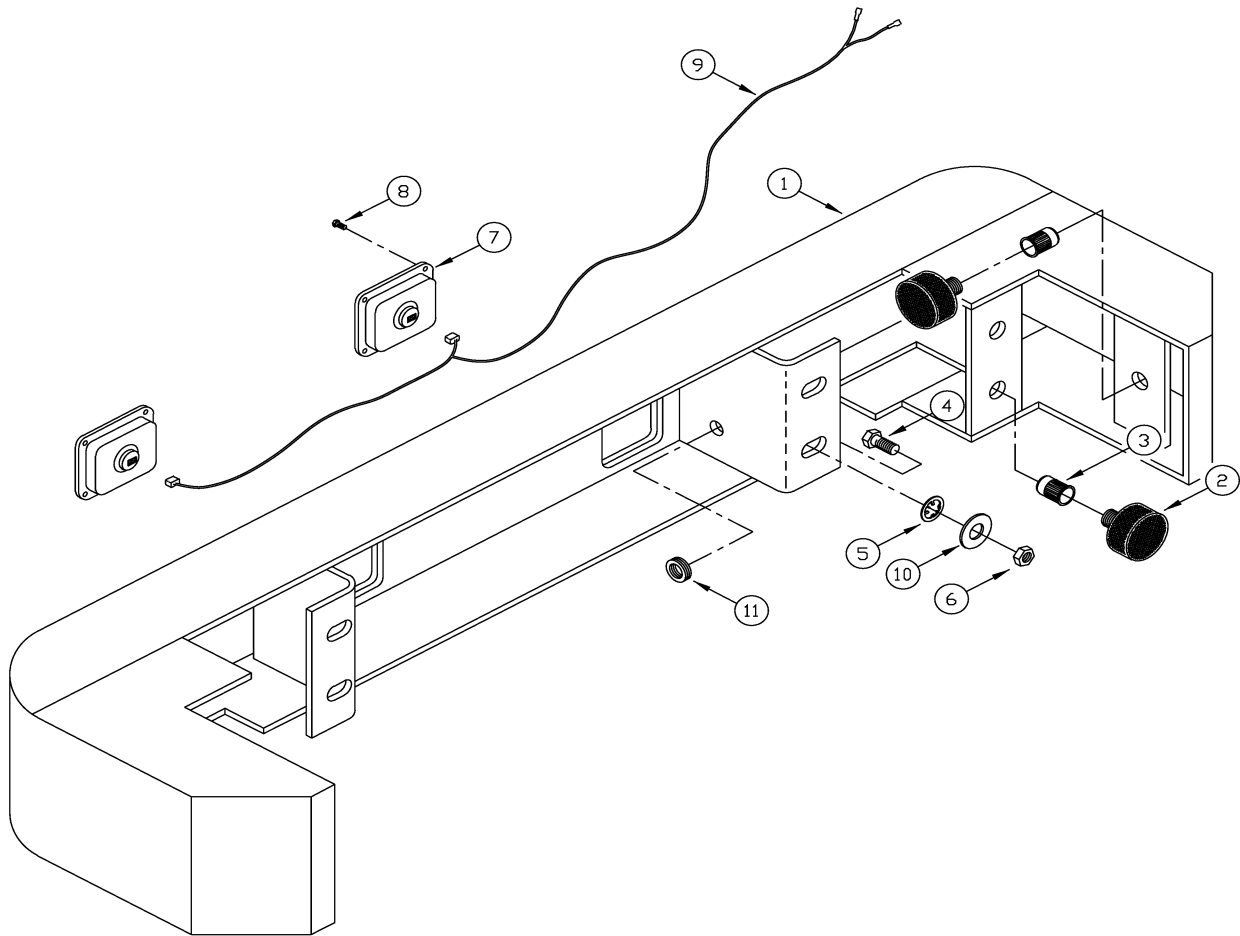


020PC001

## FRAME GROUP

REF#	PART #	DESCRIPTION	QUANTITY
1	318320	WELD - FRAME SW/72	1
2	400405	BOLT - 1/2-13 X 3.0 LG ZP	1
3	400065	NUT - HEX 1/2-13 ZP	1
4	318360	SEAL - FRONT FRAME	1
5	318359	BAR - SEAL RETAINER	1
6	400790	SCREW - BHSCS .375 - 16 X 1	1
7	311413	SEAL - HOPPER SIDE	1
8	311414	BAR - SEAL RETAINER SIDE PNTD	1
9	318363	FLAP - BROOM CHAMBER	1
10	318361	RETAINER - REAR FLAP	1
11	318367	ANGLE - REAR FLAP	1
12	318362	FLAP - BROOM CHAMBER	1
13	400790	SCREW - BHSCS .375 - 16 X 1	1
14	307658	CHAIN - GROUNDING	1
15	311429	FLAP - LT BROOM DOOR	1
16	311430	STRAP BRM DOOR LH FRT/REAR	1
17	400079	NUT - HEX 3/8 - 16 ES ZP	1

# FRONT BUMPER GROUP

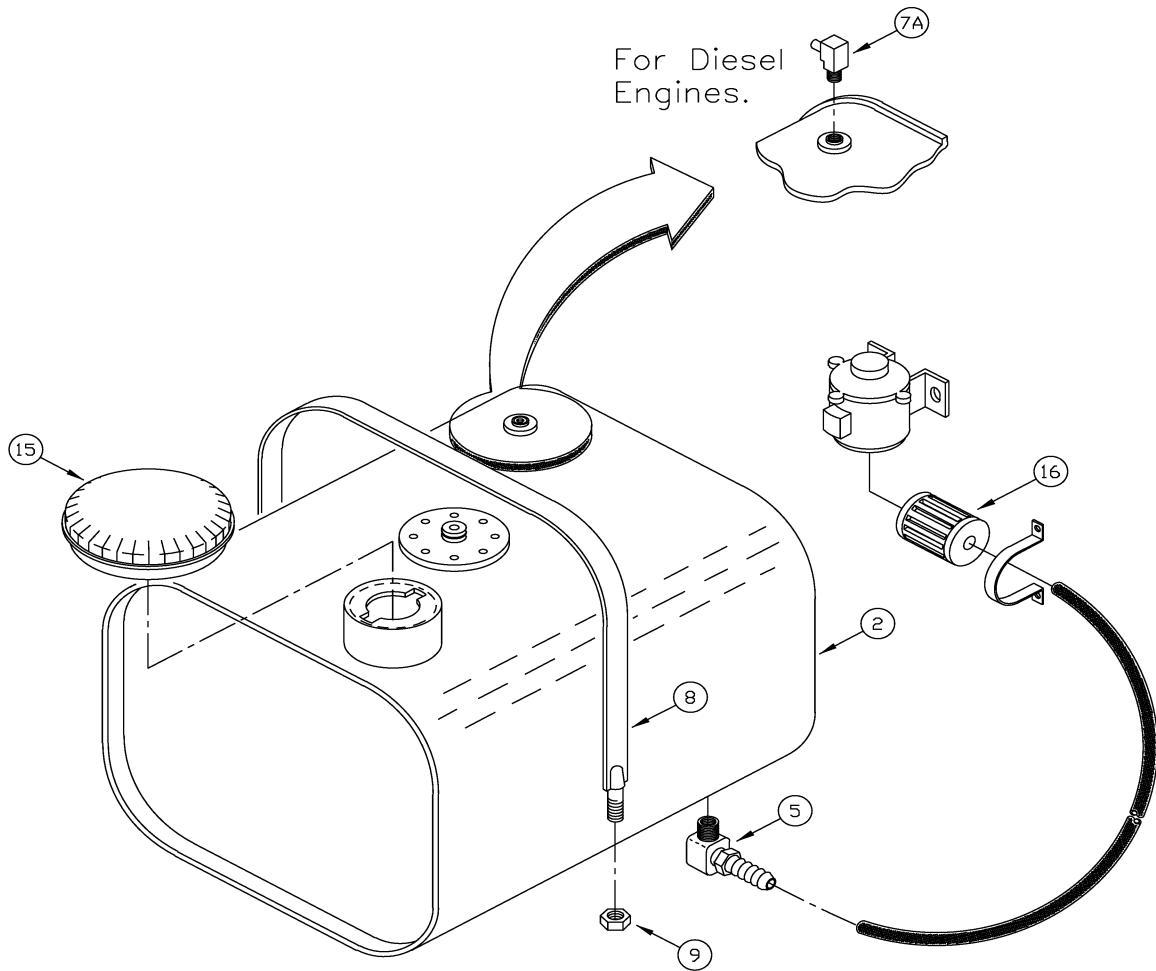


021PC001

## FRONT BUMPER GROUP

REF#	PART #	DESCRIPTION	QUANTITY
1	318321	WELD - FRONT BUMPER SW/72	1
2	316871	BUMPER - RUBBER	2
3	322186	INSERT - 3/8 - 16 UNC	1
4	400029	SCR - HEX 3/8 - 16 X 1.25 ZP	1
5	316981	RETAINER - BUMPER BOLT ARMA	1
6	400079	NUT - HEX 3/8 - 16 ES ZP	1
7	315839	HEADLIGHT - FLUSH MOUNT HALOGEN	2
8	311374	SCR - HEX 1/4 - 14 X 3/4 SELF TAP	1
9	316880	HARNES - WIRING HEADLIGHTS	1
10	400092	WASHER - FENDER 3/8 ZP	1
11	311564	GROMMET - 1/2 ID RUBBER	1

# FUEL TANK GROUP



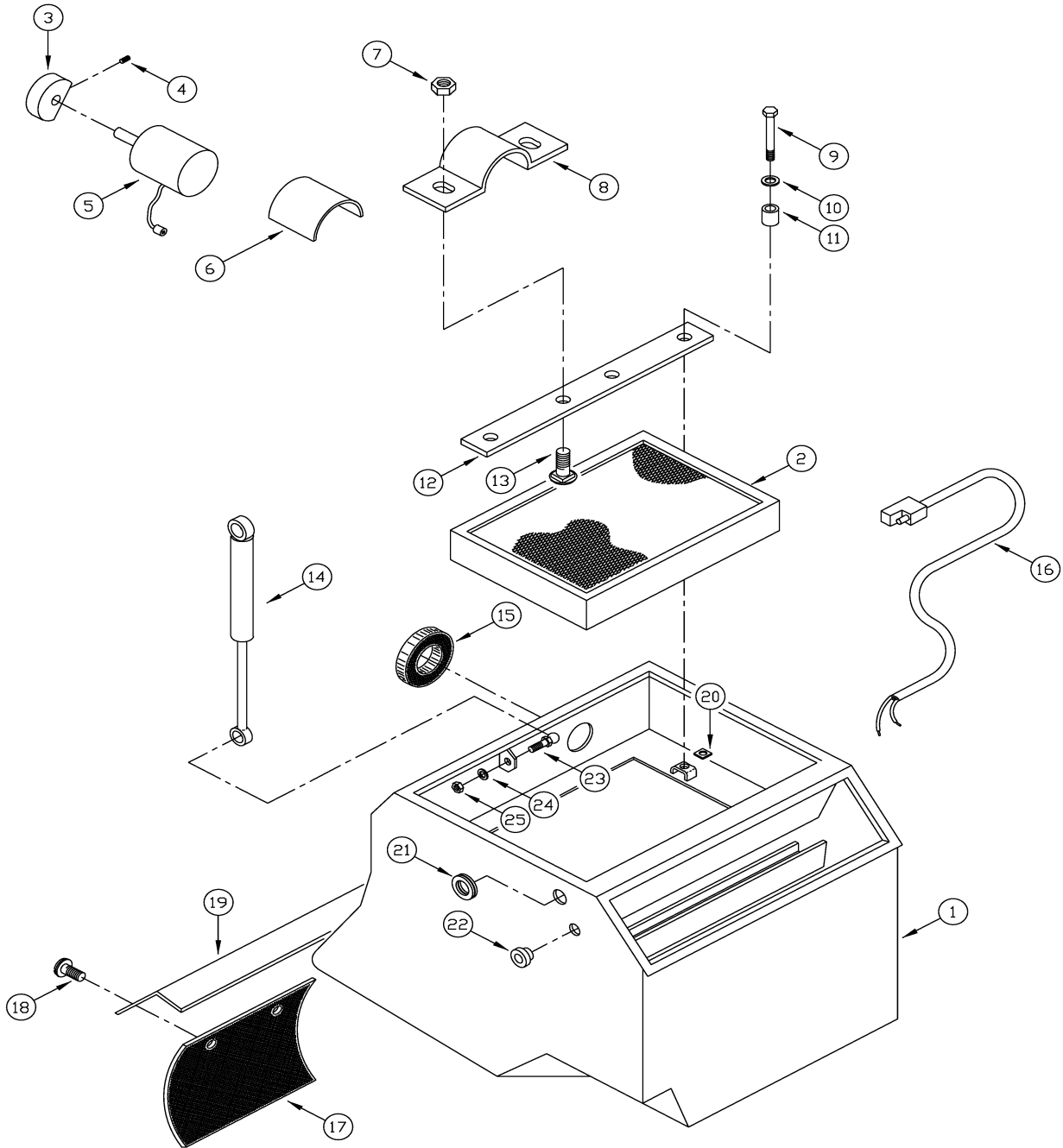
140PC001



## FUEL TANK GROUP

REF#	PART #	DESCRIPTION	QUANTITY
2	318386	TANK - FUEL SW/72	1
5	400793	FTG - 90 DEG 3/8 BARB TO 1/4 NPT	1
7A	400657	FTG - HOSE BARB 1/4 MPT - 1/4 HOSE	1
8	318401	STRAP - FUEL TANK SW/72	1
9	400079	NUT - HEX 3/8 -16 ES ZP	1
15	300393	CAP - GAS TANK	1
16	300417	FILTER - FUEL	1

# HOPPER GROUP

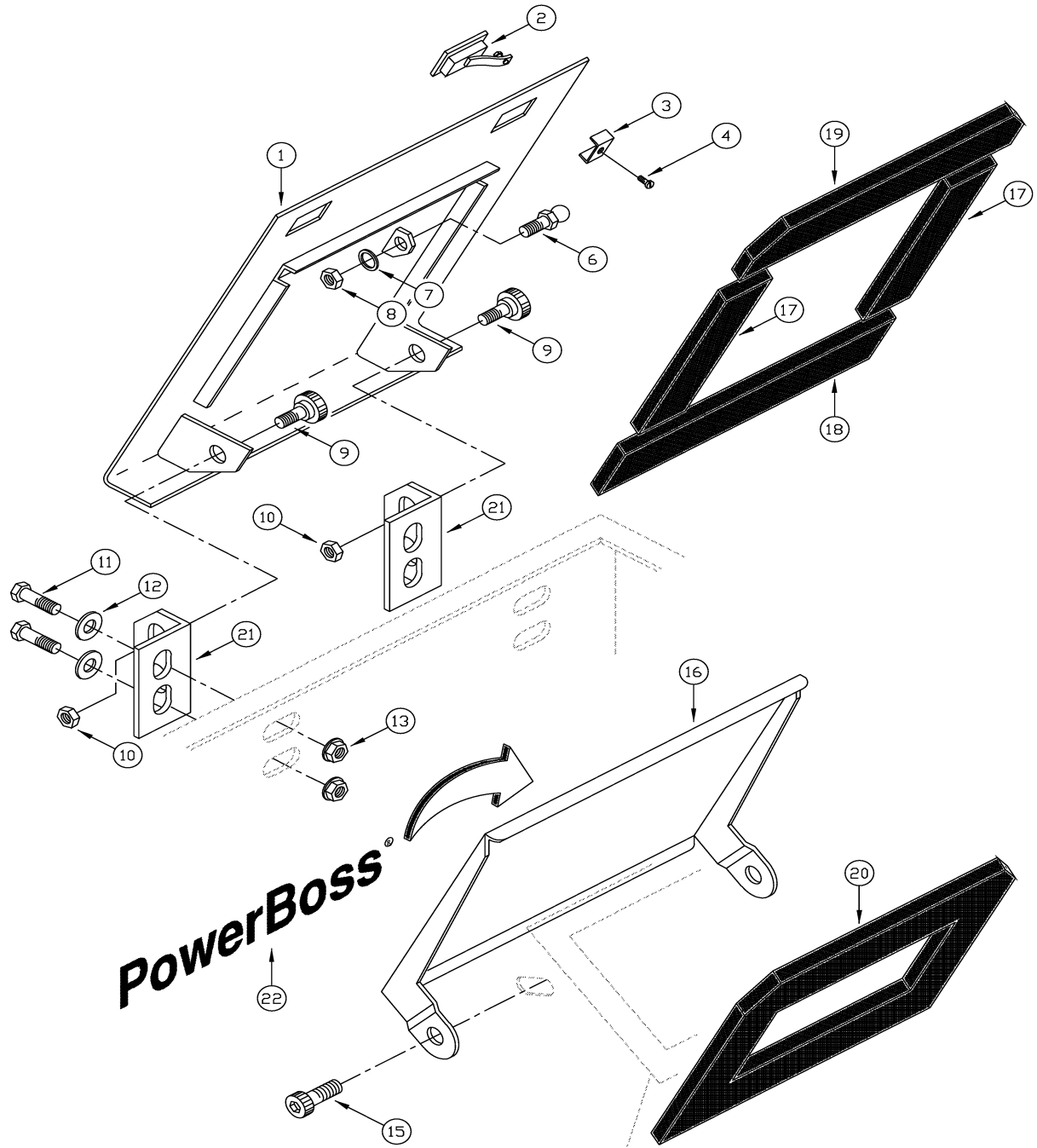


120PC001

## HOPPER GROUP

REF#	PART #	DESCRIPTION	QUANTITY
1	318331	WELD - HOPPER SW/72	1
2	311325	FILTER - HOPPER SW62IC/SW62E	1
3	301053	WEIGHT - ECCENTRIC PNTD	1
4	400055	SCR - SET #10-24 X .31 ZP	1
5	300424	MOTOR - SHAKER FILTER	1
6	300904	MOUNT - NEOPRENE SHAKER MOTOR	1
7	400080	NUT - HEX 5/16 - 18 ES ZP	1
8	300915	RETAINER - SHAKER MOTOR PNTD	1
9	400215	SCR - HEX, 5/16 - 18 X 4.00 ZP	1
10	400233	WASHER - FENDER 5/16 1.00 OD	1
11	307850	ISOLATOR - HOPPER FILTER SW/A	1
12	311456	BAR - FILTER RETAINER	1
13	400009	SCR - CAR, 5/16 - 18 X 1.00 ZP	1
14	305006	SPRING - GAS SW75E	1
15	300405	GASKET - SUCTION TUBE	1
16	307752	HARNES - HOPPER SHAKER EXT	1
17	311237	FLAP - HOPPER LIP	1
18	400790	SCREW - BHSCS .375 - 16 X 1	1
19	318336	ANG - HOPPER FLAP RETAINER SW/72	1
20	306424	CLIP NUT - 5/16 - 18 FULL BODY	1
21	301665	GROMMET - Z - 2056	1
22	322186	INSERT - 3/8 - 16 UNC	1
23	300376	STUD - BALL GAS SPRING	1
24	400102	WASHER - LOCK 5/16 SPLIT ZP	1
25	400070	NUT - HEX 5/16 - 18 ZP	1

# HOPPER GROUP (HOPPER LID)

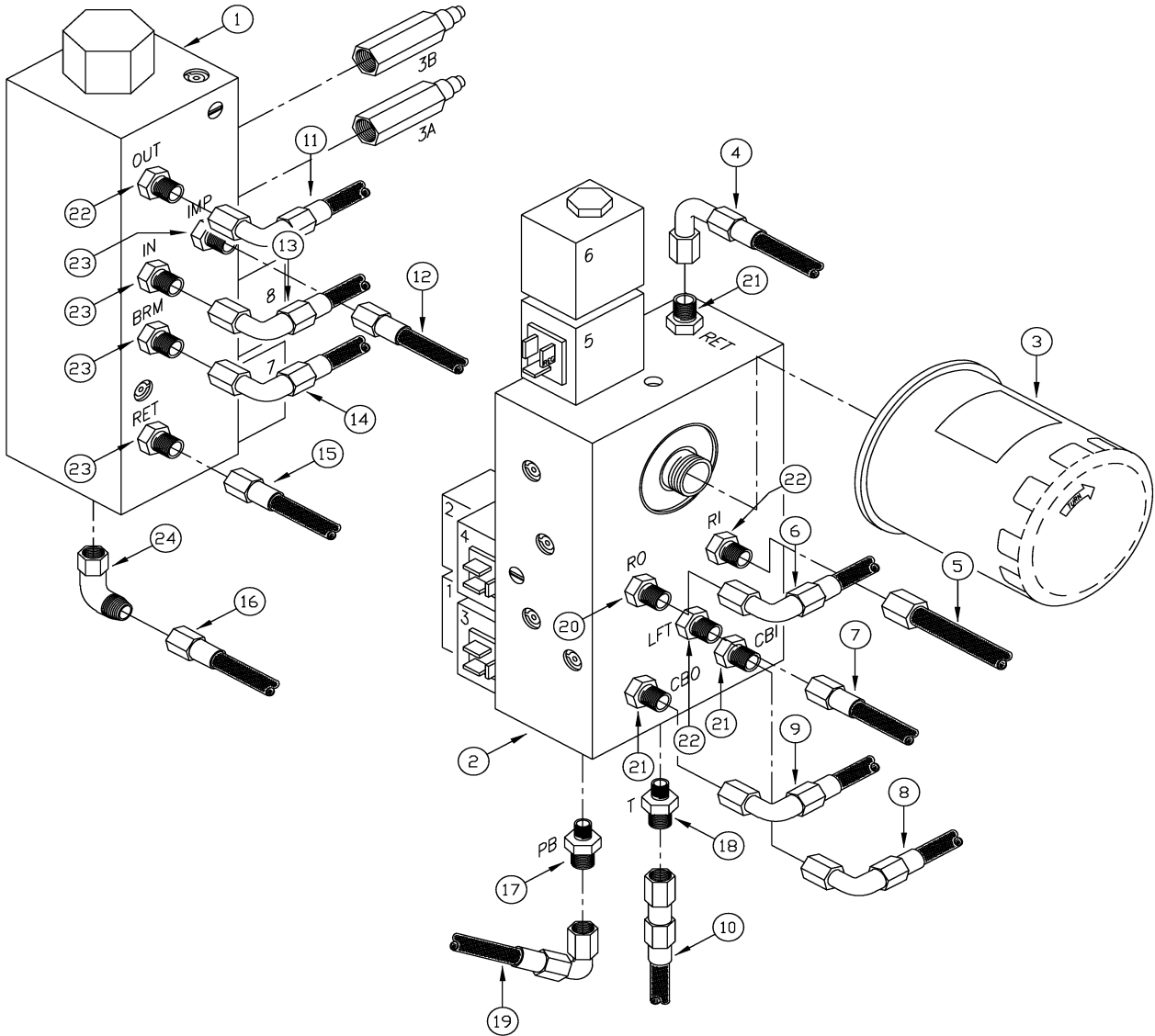


120PC002

**HOPPER GROUP (HOPPER LID)**

REF#	PART #	DESCRIPTION	QUANTITY
1	318366	WELD - FILTER COVER SW/72	1
2	300380	LATCH ASSY. #C2-10-301-50	1
3	*	INC W/ #2	1
4	*	INC W/ #2	1
6	300376	STUD - BALL GAS SPRING	1
7	400102	WASHER - LOCK 5/16 SPLIT ZP	1
8	400070	NUT - HEX 5/16 - 18 ZP	1
9	400052	SCR - HSS 5/16 - DIA X .25 ZP	1
10	400063	NUT - FLANGE LOCK 1/4 - 20 ZP	1
11	400035	SCR - HEX, 5/16 - 18 X 1.00 ZP	1
12	400384	WASHER - CONICAL SPRING 5/16	1
13	400390	NUT - FLANGE LOCK 5/16 - 18 ZP	1
15	400170	SCR - HSS 1/2 DIA X .31 ZP	1
16	318325	LID - HOPPER SW/72	1
17	311452	GASKET - FILTER COVER SIDE	1
18	318344	GASKET - FILT COVER REAR SW/72	1
19	318343	GASKET - FILT COVER FRNT SW/72	1
20	318327	SEAL - HOPPER LID SW/72	1
21	311245	HINGE - FILTER COVER PAINTED	1
22	307581	DECAL - "POWERBOSS" LOGO	1

# HYDRAULIC GROUP - CONTROL VALVE



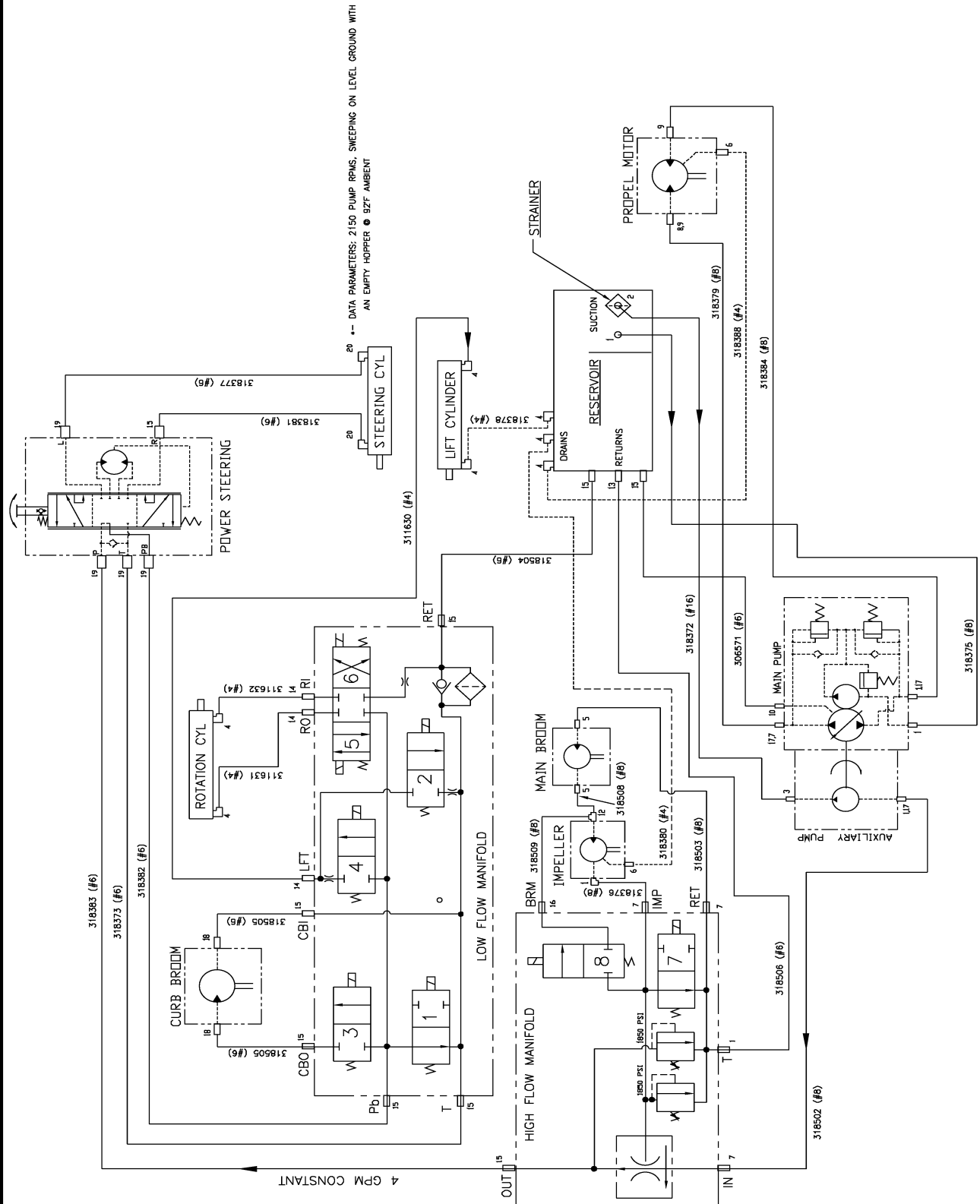
080PC001

## HYDRAULIC GROUP - CONTROL VALVE

REF#	PART #	DESCRIPTION	QUANTITY
1	318465	MANIFOLD - HIGH FLOW HYDRAULIC	1
2	318466	MANIFOLD - LOW FLOW HYDRAULIC	1
3	304208	FILTER - HYD SW/75E (SP)	1
4	318504	HOSE- 3/8AR30.090#6ST#6	1
5	311632	HOSE-1/4AR102.0ST#590#4	1
6	311631	HOSE-1/4AR117.5ST#590#4	1
7	311630	HOSE-1/4AR19.5ST#5ST#4	1
8	318506	HOSE-1/2AR27.0ST#8ST#8	1
9	318505	HOSE-3/8AR70.0ST#645#6	2
10	318373	HOSE-3/8AR60.5ST#645#6	1
11	318383	HOSE-3/8AR73.5ST#6ST#6	1
12	318376	HOSE-1/2AR33.0ST#8ST#8	1
13	318502	HOSE-1/2AR24.5ST#8ST#8	1
14	318509	HOSE-1/2AR28.090#8ST#8	1
15	318503	HOSE-1/2AR47.5ST#845#8	1
16	318506	HOSE-1/2AR27.0ST#8ST#8	1
17	400635	FTG - ADAPTOR CONNECTOR 9/16 - 18	1
18	400635	FTG - ADAPTOR CONNECTOR 9/16 - 18	1
19	318382	HOSE-3/8AR53.0ST#645#6	1
20	400264	FTG - MALE CONNECTOR 9/16 TO #4	3
21	400635	FTG - ADAPTOR CONNECTOR 9/16 - 18	1
22	400635	FTG - ADAPTOR CONNECTOR 9/16 - 18	1
23	304899	FTG - ADAP 3/4 - 16 TO 1/2 OD TUBE	4
24	400154	FTG - 90 3/4 - 16 TO #8	1



# HYDRAULIC GROUP - HOSES

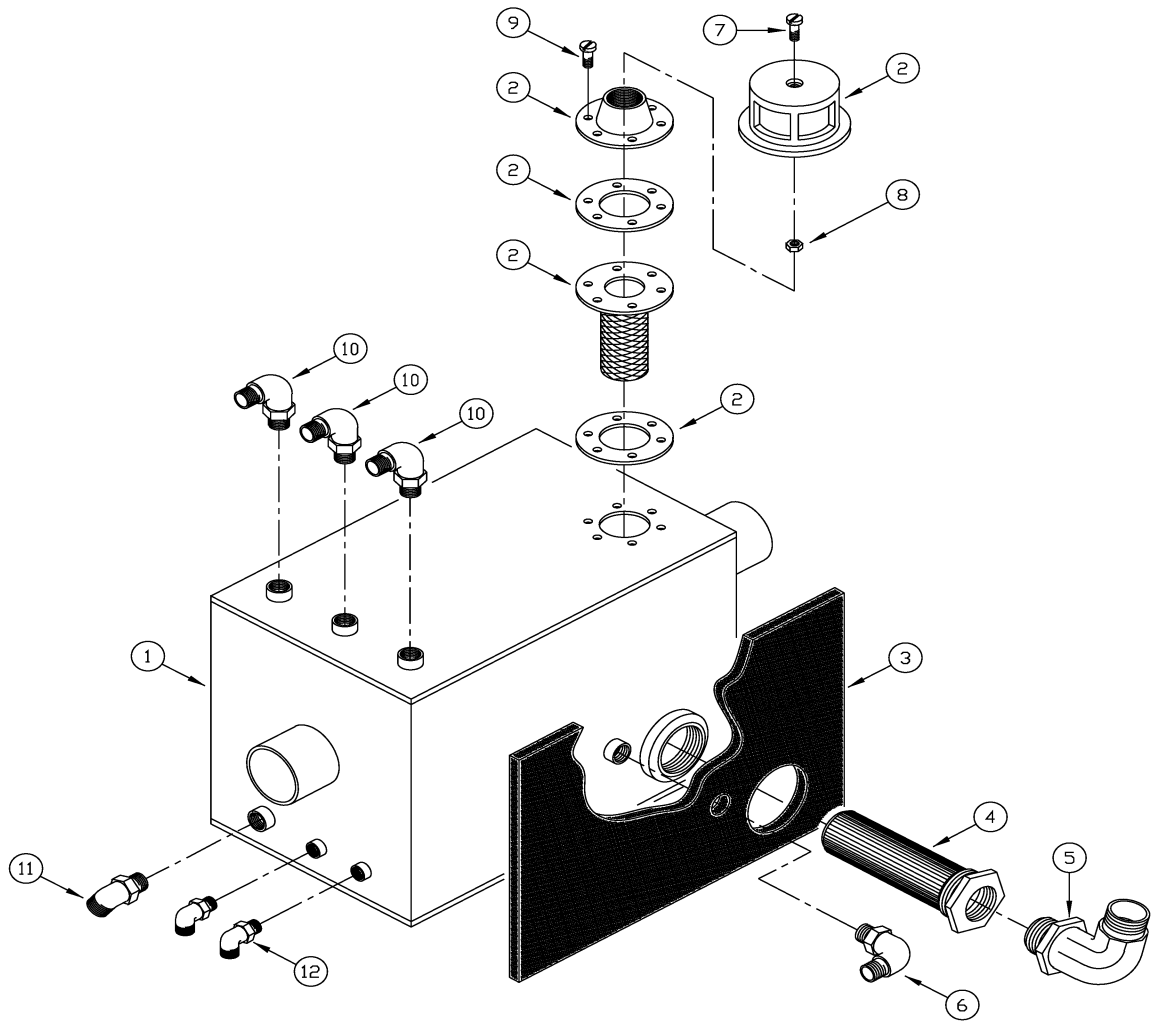




## HYDRAULIC GROUP - HOSES

REF#	PART #	DESCRIPTION	QUANTITY
1	400154	90 DEG EL (.75-16 TO #8)	1
2	400791	90 DEG EL (1' NPT TO #16)	1
3	400792	CONN - (1.31 - 12 TO #16)	1
4	400152	90 DEG EL (.50 - 20 TO #5)	1
5	400151	CONN - (.88 - 14 TO #8)	1
6	400212	CONN - (.44 - 20 TO #4)	1
7	304899	CONN - (.75 - 16 TO #8)	1
8	400166	ADAPTER - (.88 - 14 X .75 - 16)	1
9	400169	SWIVEL - (.75 - 14 TO #8)	1
10	400153	90 DEG EL (.56 - 18 TO #6)	1
11	400155	90 DEG EL (.88 - 14 TO #8)	1
12	400163	TEE - (.75 - 16 TO #8)	1
13	400158	45 DEG EL (.88 - 14 TO #8)	1
14	400264	CONN - (.56 - 18 TO #4)	1
15	400635	CONN - (.56 - 18 TO #6)	1
16	400157	45 DEG EL (.75 - 16 TO #8)	1
17	400167	BUSHING - (1.06 X .75 - 16)	1
18	400822	CONN - (.88 - 14 TO #6)	1
19	400648	CONN - (.75 - 16 TO #6)	1
20	400634	90 DEG EL (.50 - 20 TO #6)	1
	307243	CYLINDER - LIFT	
	307323	CYLINDER - ROTATION	
	318452	CYLINDER - STEERING	
	318466	MANIFOLD - LO FLOW	
	318465	MANIFOLD - HI FLOW	
	318532	MOTOR - CURB BROOM	
	313008	MOTOR - IMPELLER	
	316894	MOTOR - MAIN BROOM	
	301534	MOTOR - PROPEL	
	318500	PUMP - AUXILIARY	
	303581	PUMP - MAIN	
	318437	RESERVOIR	
	318471	STEERING UNIT	
	307573	STRAINER	

# HYDRAULIC GROUP - HYDRAULIC RESERVOIR

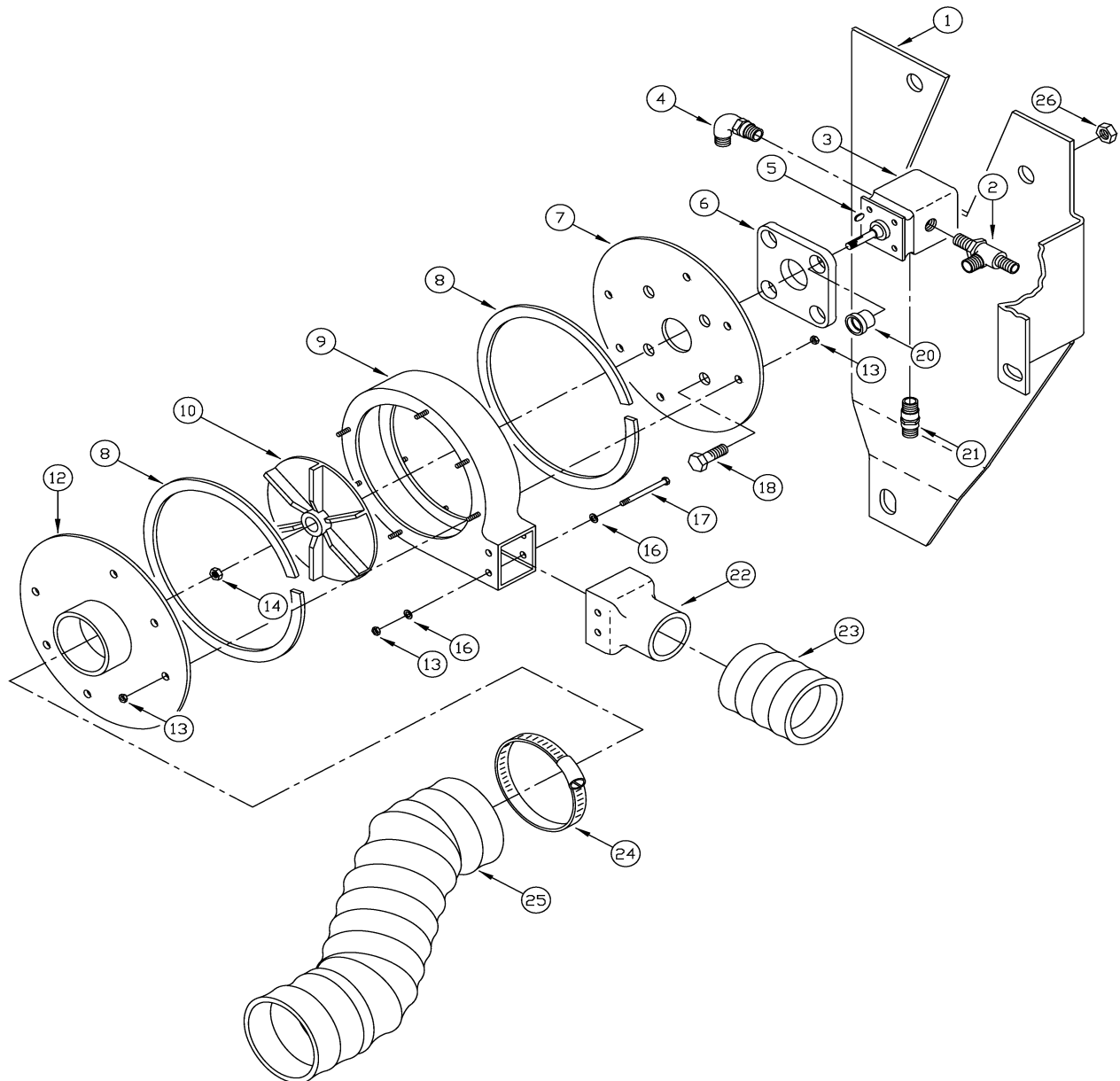


080PC002

**HYDRAULIC GROUP - HYDRAULIC RESERVOIR**

REF#	PART #	DESCRIPTION	QUANTITY
1	318437	WELD - RESERVOIR SW/72	1
2	305576	ASSY - FILTER / BREATHER FLOWEZY	1
3	318490	SHIELD - RESERVOIR HEAT	1
4	307573	STRAINER - HYDRAULIC TM-15	1
5	400791	FTG - 90 EL #16 JIC TO 1" NPTF	1
6	400154	FTG - 90 3/4 - 16 TO #8	1
7	400045	SCR - PAN #8 - 32 X 0.62 SLT ZP	1
8	400082	NUT - HEX #8 - 32 ES ZP	1
9	400804	SCR - #10 X .62 SELF-TAPPING	1
10	400152	FTG - 90 1/2 - 20 TO #5	1
11	400151	FTG - STR 7/8 - 14 TO #8	1
12	400153	FTG - 90 9/16 - 18 TO #6	1

# IMPELLER GROUP

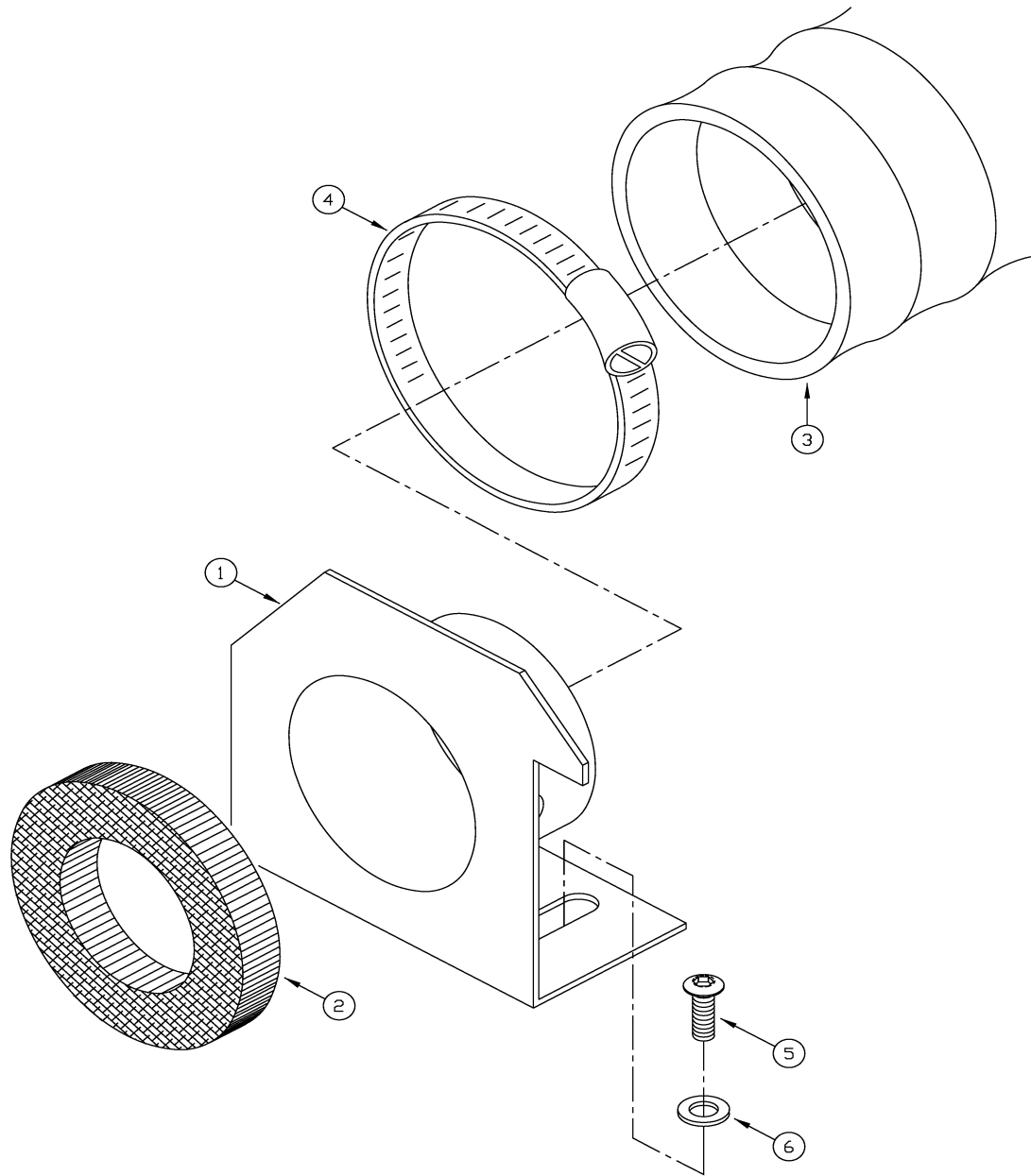


121PC001

**IMPELLER GROUP**

REF#	PART #	DESCRIPTION	QUANTITY
1	318434	MOUNT - IMPELLER SW/72	1
2	400163	FTG - TEE OFFSET 3/4 - 16 TO #8	1
3	313008	MOTOR - HYD IMPELLER SW/62 DSL	1
4	400154	FTG - 90 3/4-16 TO #8	1
6	307152	HINGE - ANGLE WD SIDE DOOR SW/A	1
7	307172	MOUNT - IMP MOTOR PNTD SW/A	1
8	304183	GASKET - IMPELLER SW/75	1
9	307004	SHROUD - IMPELLER SW/A PNTD	1
10	307003	IMPELLER - ARMA CASTING & MACHIN	1
12	311334	ASSY - IMPELLER INLET PLATE PNTD	1
13	400081	NUT - HEX 1/4-20 ES ZP	1
14	400420	NUT - HEX 5/16 - 24 ES	1
16	400089	WASHER - FLAT 1/4 STANDARD ZP	1
17	400406	SCR - HEX 1/4 - 20 X 3.75 ZP	1
18	400027	SCR - HEX 3/8 - 16 X 1.75 ZP	1
20	300465	MOUNT - ISOLATION	1
21	400212	FTG - ADAPTER 7/16 - 20 TO #4	1
22	315347	EXHAUST - IMPELLER 9XV	1
23	318507	HOSE - 3.5 ID (IMP TO RESERVOIR)	1
24	300351	CLAMP - HOSE 4 1/2" DIA	1
25	309034	HOSE - IMPELLER 82	1
26	400079	NUT - HEX 3/8 - 16 ES ZP	1

# IMPELLER GROUP - GASKET MOUNT

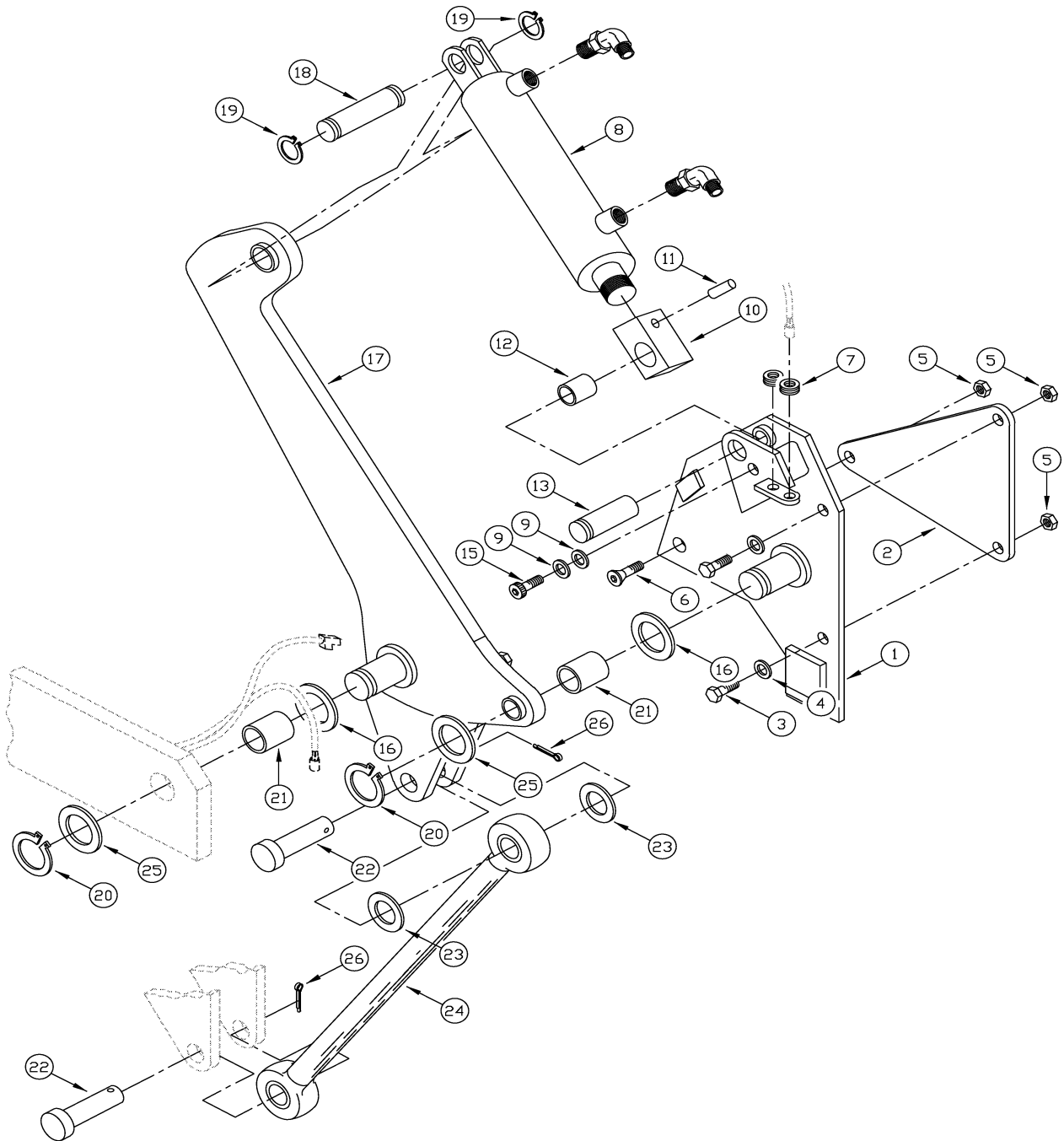


121PC002

## IMPELLER GROUP - GASKET MOUNT

REF#	PART #	DESCRIPTION	QUANTITY
1	318473	WELD - GASKET MOUNT SW/72	1
2	307005	GASKET - IMPELLER SW/A	1
3	309034	HOSE - IMPELLER 82	1
4	300351	CLAMP - HOSE 4 1/2" DIA	1
5	400790	SCREW - BHSCS .375 - 16 X 1	1
6	400385	WASHER - CONICAL SPRING 3/8	1

# LIFT ARM GROUP



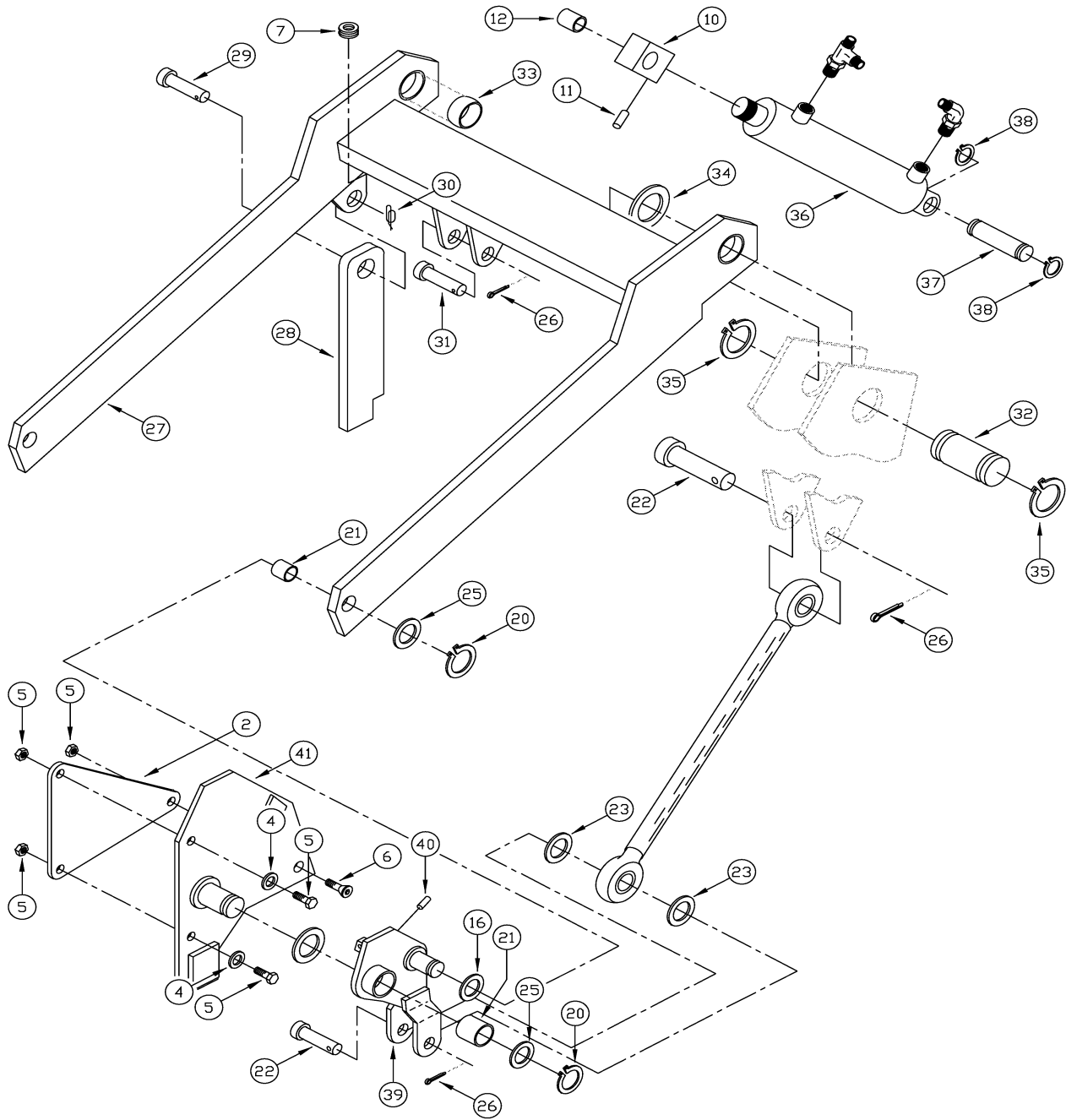
022PC001



**LIFT ARM GROUP**

REF#	PART #	DESCRIPTION	QUANTITY
1	311206	ASSY - ROTATION PLATE RH	1
2	311244	PLATE - HOPPER DOUBLER	2
3	400030	BOLT - 3/8-16 X 1.0 LONG	4
4	400087	WASHER - 3/8 FLAT	4
5	400392	NUT - 3/8-16 FLANGE LOCK	6
6	400444	SCREW - FLAT HD 3/8-16 X 1.0	2
7	301665	GROMMET - Z2056	2
8	307323	CYLINDER - ROTATION	1
9	400092	WASHER - 3/8 FENDER	2
10	300229	ASSY - BLOCK CYL END PLTD	2
11	400054	SCREW - SET 1/4-20 X .25 LONG ZP	2
12	300552	BEARING - 1.0 ID X 1.50 LG	2
13	311213	PIN - ROTATION PLATE CYLINDER ZP	1
15	400219	BOLT - 5/16-18 X .50 ZP	1
16	311458	BEARING - FIBERGLIDE LTD-2442	4
17	311200	ASSY - LIFT ARM CYLINDER MOUNT	1
18	307607	PIN - CYL RETAINING	1
19	301998	RETAINING RING	2
20	311330	RETAINING RING 5100-150	4
21	311457	BEARING - FIBERGLIDE CJS-2428	4
22	400439	PIN - CLEVIS 3/4 X 2.00	2
23	311012	WASHER - HI-DUMP SPACER SEC. ARM	4
24	311216	ASSY - SECONDARY LIFT ARM	2
25	311219	WASHER - SPACER ROTATION PLATE	4
26	400120	PIN - COTTER 5/32 X 2.0 ZP	5
27	311181	ASSY - LIFT ARMS	1
28	311316	SAFETY ARM	1
29	400462	PIN - CLEVIS 5/8 X 1.5	1
30	400124	PIN - COTTER 5/8 RUE-RING	1
31	400472	PIN - CLEVIS 1.0 X 3.0 ZP	1
32	311197	PIN - UPPER LIFT ARM ZP	2
33	311029	BEARING - SPHERICAL	2
34	311295	WASHER - SPACER LIFT PINS ZP	4
35	311379	RING - RETAINING 5100-175 1.75	4
36	307243	CYLINDER - LIFT	1
37	307408	PIN - CYLINDER MOUNT	1
38	307431	RING - RETAINING 5100-125	2
39	311198	ASSY - LIFT ARM IDLER	1
40	400446	SCREW - SET 3/8-24 X 1.25 ZP	4
41	311212	ASSY - ROTATION PLATE LH	1
42	309289	KIT - SEAL CYL 307243 (SP)	1

# LIFT ARM GROUP (CONT.)

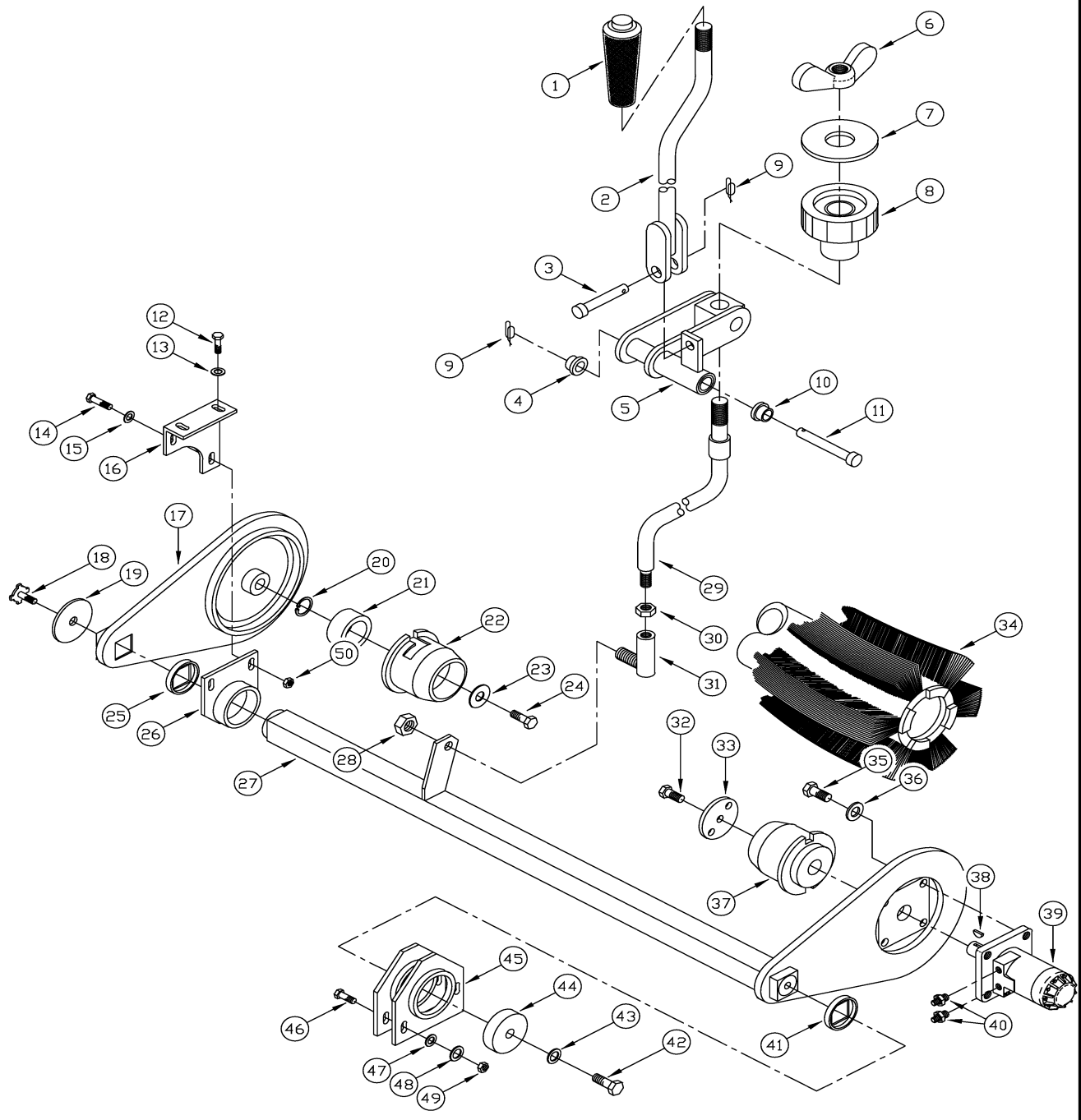


022PC002

**LIFT ARM GROUP (CONT.)**

REF#	PART #	DESCRIPTION	QUANTITY
27	318440	WELD - LIFT ARM SW/72	1
28	311316	SAFETY ARM	1
29	400462	PIN - CLEVIS 5/8 X 1.5	1
30	400124	PIN - COTTER 5/8 RUE-RING	1
31	400472	PIN - CLEVIS 1.0 X 3.0 ZP	1
32	318415	PIN - LIFT ARM ROTATION SW/72	2
33	300836	BEARING - 2.18 OD X 2.00 ID X .75	2
34	300882	WASHER - HD 3.25 OD X 2.00 ID	4
35	311379	RING - RETAINING 5100-175 1.75	4
36	307243	CYLINDER - LIFT	1
37	307408	PIN - CYLINDER MOUNT	1
38	301709	RING - RET EXT. 2.00	2
39	311198	ASSY - LIFT ARM IDLER	1
40	400446	SCREW - SET 3/8-24 X 1.25 ZP	4
41	311212	ASSY - ROTATION PLATE LH	1
	309289	KIT - SEAL CYL 307243 (SP)	1

# MAIN BROOM GROUP

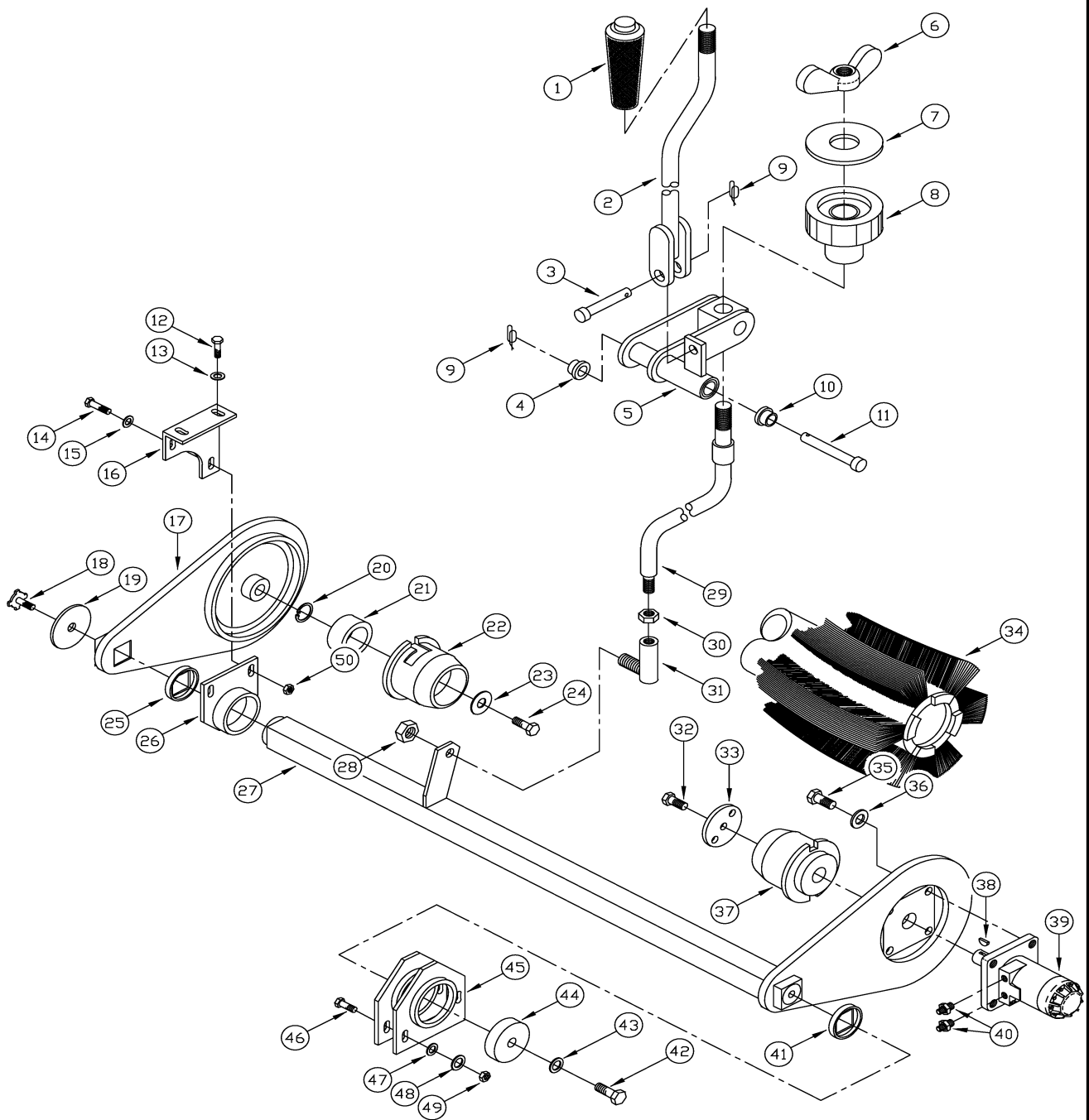


090PC001

**MAIN BROOM GROUP**

REF#	PART #	DESCRIPTION	QUANTITY
1	300558	KNOB - TAPERED #145 BLACK	1
2	318425	WELD - MAIN BRM LIFT LEVER SW/72	1
3	400117	PIN - CLEVIS 3/8 X 1 - 1/8 ZP	1
4	300414	BUSHING - PLASTIC MN BRM	1
5	318390	WELD - MAIN BRM LIFT ARM SW/72	1
6	400084	NUT - WING 1/2 - 13 ZP	1
7	400091	WASHER - FENDER 1/2 ZP	1
8	300352	KNOB - MB LIFT HDJ	1
9	400125	PIN - COTTER 3/8 RUE RING	1
10	300414	BUSHING - PLASTIC MN BRM	1
11	400113	PIN - CLEVIS 3/8 X 5 - 1/2 ZP	1
12	400030	SCR - HEX, 3/8 - 16 X 1.00 ZP	1
13	400385	WASHER - CONICAL SPRING 3/8	1
14	400030	SCR - HEX, 3/8 - 16 X 1.00 ZP	1
15	400385	WASHER - CONICAL SPRING 3/8	1
16	311160	ANGLE - MAIN BROOM TUBE BRG MNT	1
17	311147	ASSY - MAIN BROOM IDLER ARM PNTD	1
18	318429	KNOB - MB IDLER RETAINER SW/72	1
19	311013	WASHER - MAIN BROOM RETAINER PLTD	1
20	300475	RING - RET INT 2.06	1
21	309618	BEARING - STEERING ARM 205PP	1
22	301051	HUB - BROOM IDLER PNTD	1
23	400091	WASHER - FENDER 1/2 ZP	1
24	400022	SCR - HEX, 1/2-13 X 1.25 ZP	1
25	311022	BUSHING - MAIN BROOM	1
26	311161	WELDMENT - MAIN BROOM TUBE BRG MNT	1
27	318330	WELD - PIVOT TUBE SW/72	1
28	400342	NUT - HEX 3/8 - 24 ES ZP	1
29	318405	ROD - DIR CONTROL LONG SW/72	1
30	400067	NUT - HEX 3/8 - 24 ZP	1
31	300461	BALL JOINT - 3/8 - 24 W/DUST COV	1
32	400049	SCR - SOC, 1/4 - 20 X 0.75 ZP NYLOCK	1
33	301285	RETAINER - DR HUB PLTD	1
34	318524	BROOM - 45" NYLON SW/72	1
	318525	BROOM - 45" STIFF NYLON SW/72	
	318526	BRM - 45" HI-DENSITY NYLON SW/72	
	318527	BROOM - 45" POLY PROEX SW/72	
	318528	BROOM - 45" PATROL SW/72	
	318529	BROOM - 45" HDN FIBER & WIRE SW/72	
	318530	BROOM - 45" CRINKLE WIRE SW/72	
	318531	BROOM - 45" NATURAL FIBER SW/72	
35	400032	SCR - HEX, 3/8 - 16 X 0.75 ZP	1
36	400101	WASHER - LOCK 3/8 SPLIT ZP	1
37	301050	HUB - MB DRIVE PNTD	1
38	302082	KEY - HYD MOTOR CURB BROOM	1
39	316894	MOTOR - HYD M BROOM 62IC THRU 77	1

# MAIN BROOM GROUP

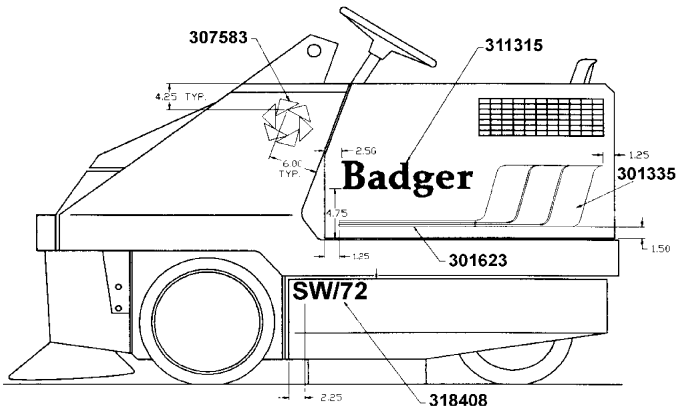


090PC001

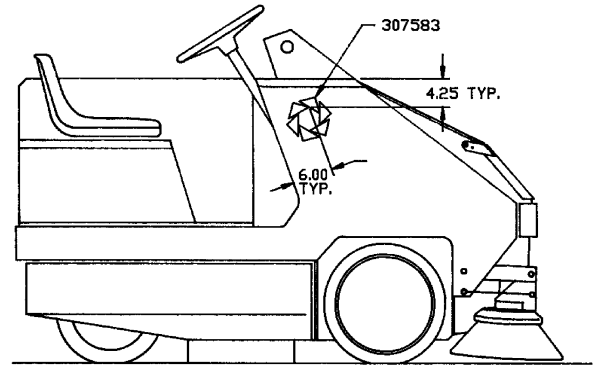
**MAIN BROOM GROUP**

REF#	PART #	DESCRIPTION	QUANTITY
40	400151	FTG - STR 7/8 - 14 TO #8	1
41	311022	BUSHING - MB PLASTIC	1
42	400032	SCR - HEX, 3/8 - 16 X 0.75 ZP	1
43	400101	WASHER - LOCK 3/8 SPLIT ZP	1
44	312277	ASSY - WD BRG MNT RETAINER PNTD	1
45	312276	ASSY - WD BRG MNT M-BRM PLTD	1
46	400379	SCR - CAR, 3/8 - 16 X 1.00 ZP	1
47	400087	WASHER - FLAT 3/8 STANDARD ZP	1
48	400101	WASHER - LOCK 3/8 SPLIT ZP	1
49	400068	NUT - HEX 3/8 - 16 ZP	1
50	400392	NUT - FLANGE LOCK 3/8 - 16	1

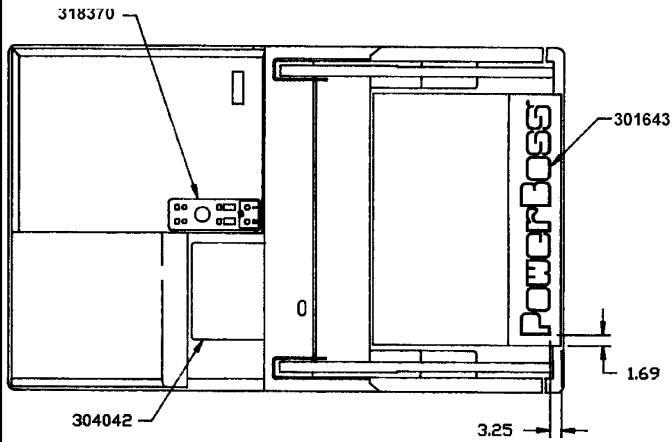
## MISCELLANEOUS GROUP - DECALS



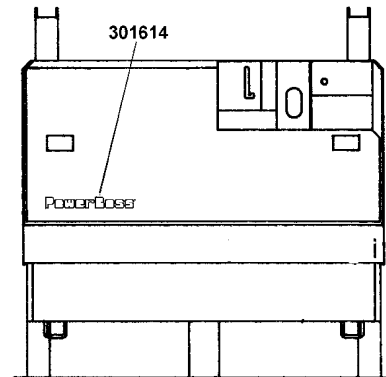
LEFT-HAND VIEW



RIGHT-HAND VIEW



TOP VIEW



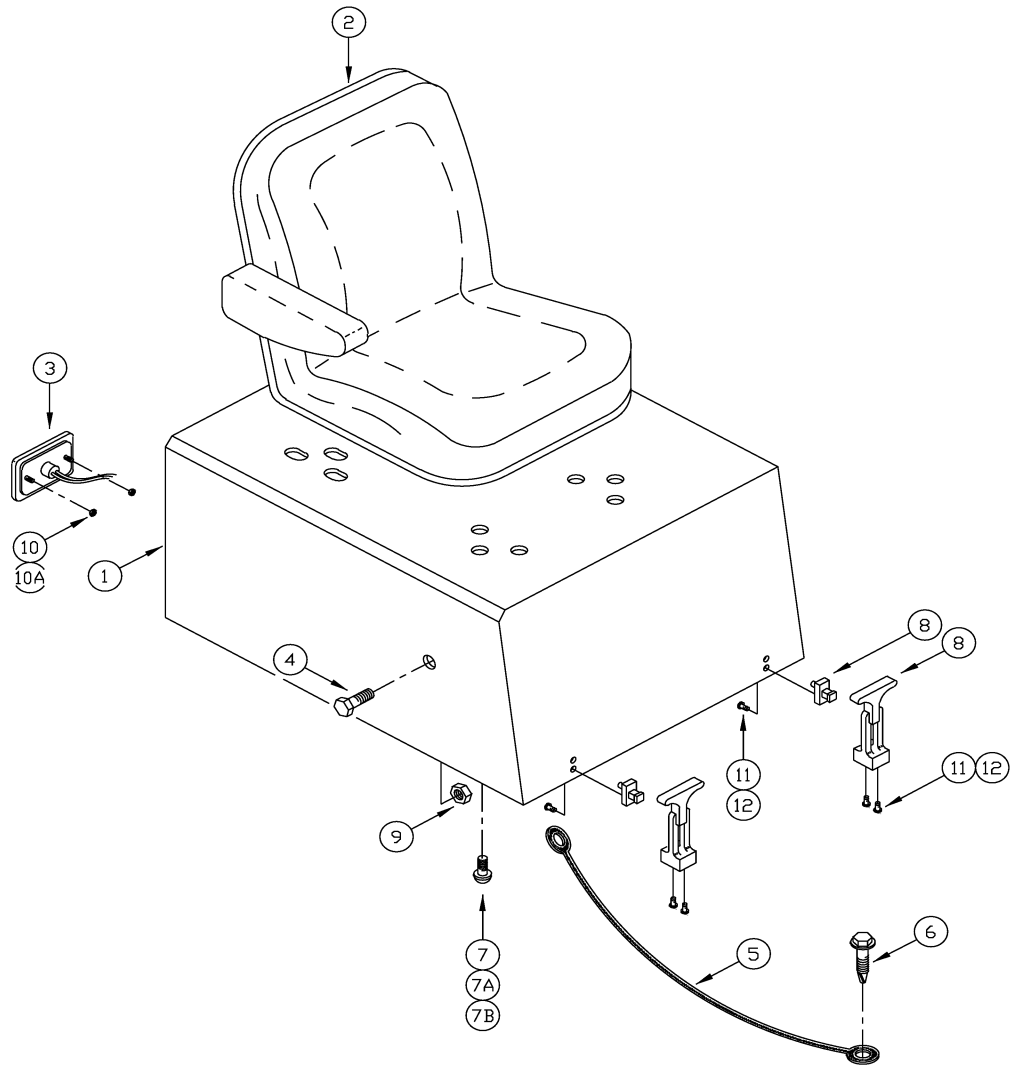
REAR VIEW



## MISCELLANEOUS GROUP - DECALS

REF#	PART #	DESCRIPTION	QUANTITY
	307583	DECAL "*" LOGO ARMA	1
	311515	DECAL "BADGER" SW/62	1
	301335	DECAL LINTEL TOP "Z Z Z"	1
	301623	DECAL LINTEL TOP SMALL "===="	1
	318408	DECAL "SW/72" LOGO	1
	304042	FLOOR - MAT SW/75	1
	318370	DECAL - ENGINE CLIP SW/72	1
	301614	DECAL - "POWERBOSS" LIGHT GRAY	1
	301643	DECAL - "POWERBOSS" MAROON	1
	318371	(NOT SHOWN) DECAL - MAIN BROOM LIFT SW/72	1

# SEAT GROUP

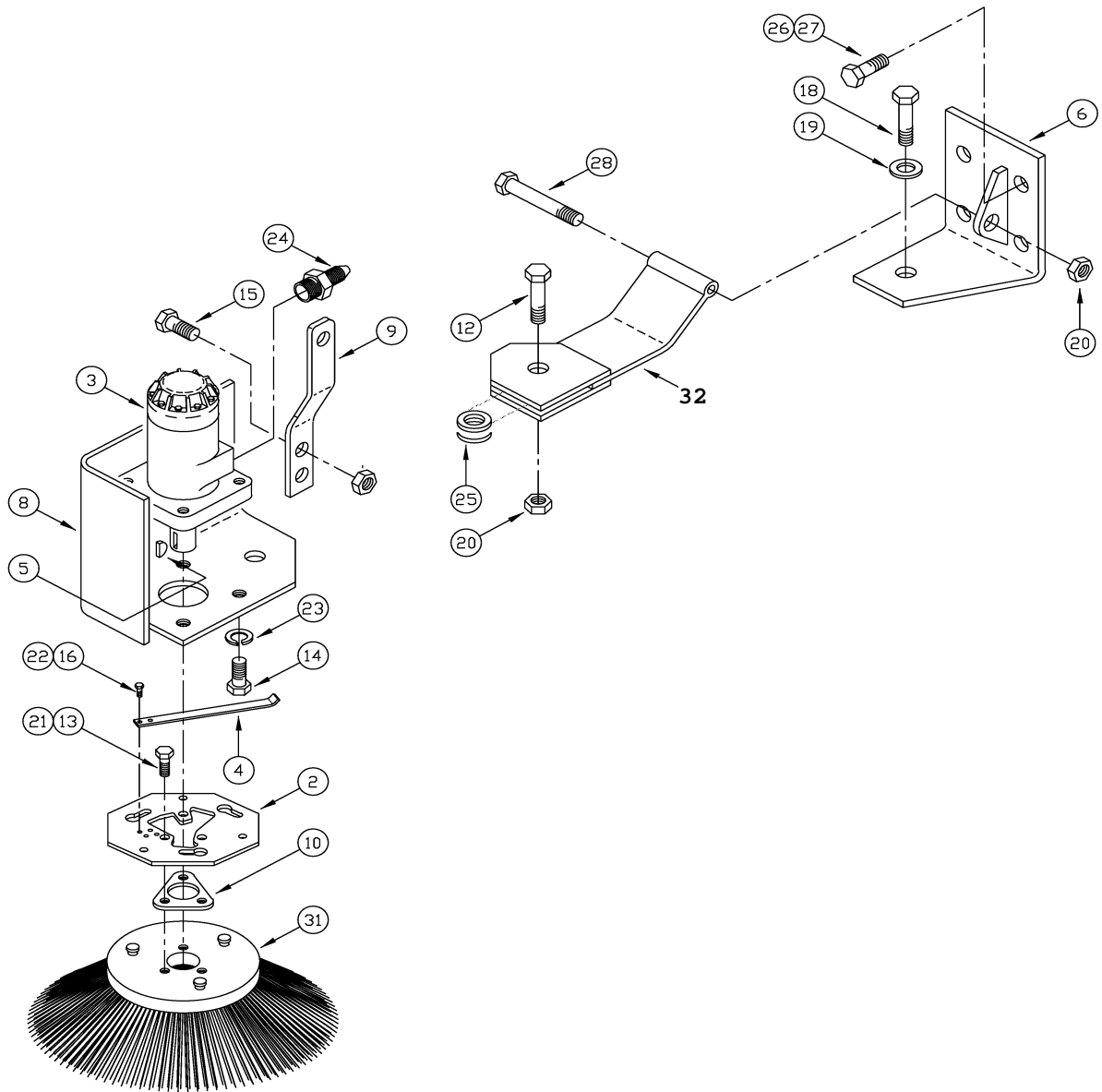


050PC001

**SEAT GROUP**

REF#	PART #	DESCRIPTION	QUANTITY
1	318352	WELD - SEAT CLIP SW/72	1
2	312417	ASSY - SEAT V818 ADJ W/ARMREST	1
3	311373	LIGHT - REAR TAIL RED	1
4	400042	SCR - HEX 1/4 - 20 X 0.75 ZP	1
5	304032	CABLE - REAR COVER SW/75	2
6	400059	SCR - THM 1/4 - 20 X .75 SS	1
7	312413	BUMPER - RUBBER .88 DIA 10 - 32 X .5	2
7A	400072	NUT - HEX #10 - 32 ZP	4
7B	400104	WASHER - LOCK #10 SPLIT ZP	4
8	311941	LATCH - FLEXIBLE T-HANDLE	1
9	400081	NUT - HEX 1/4 - 20 ES ZP	1
10	400072	NUT - HEX #10 - 32 ZP	4
10A	400104	WASHER - LOCK #10 SPLIT ZP	4
11	400489	SCR - PAN, #10 - 24 X 5/8, SLT SS	2
12	400400	WASHER - FLAT #10 SS	2

# SIDE BROOM GROUP

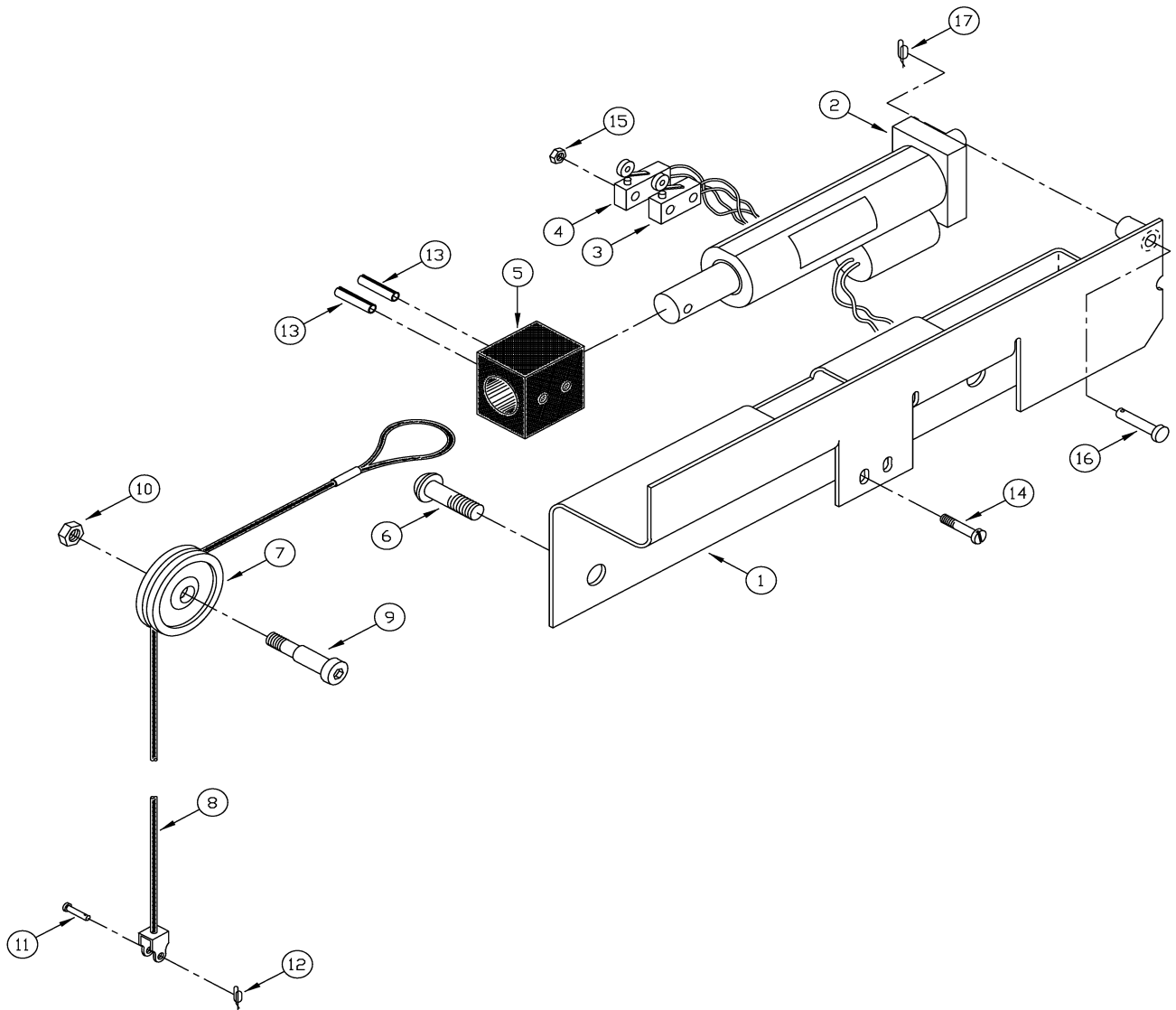


091PC001

## SIDE BROOM GROUP

REF#	PART #	DESCRIPTION	QUANTITY
2	301262	PLATE - GIMBAL SCHD	1
3	318532	MOTOR - 9.5 CU IN CURB BROOM	1
4	302058	RETAINER - BRUSH	1
5	302082	KEY - HEX HYD MOTOR	1
6	313202	ASSY - MOUNT CURB BROOM	1
8	313207	MOUNT - CURB BROOM MOTOR	1
9	313208	BRKT - CABLE CURB BROOM	1
10	313212	ASSY - HUB CURB BROOM	1
13	400030	SCREW - HEX 3/8-16 X 1.0	3
14	400032	SCREW - HEX 3/8-16 X .75	4
15	400035	SCREW - HEX 5/16-18 X 1.0	2
16	400042	SCREW - HEX 1/4-20 X .75	2
18	400053	SCREW - SSCP 1/2-20 X 1.75	1
19	400091	WASHER - FENDER 1/2	1
20	400078	NUT - ES 1/2-13	1
21	400079	NUT - HEX 3S 3/8-16	3
22	400081	NUT - HEX ES 1/4-20	2
23	400101	WASHER - LOCK 3/8	4
24	400151	FTG - STR 7/8-14 TO #8	2
25	400178	BRG - THRUST .531 ID X 1.00 OD	2
26	400030	SCREW - HEX 3/8-16 X 1.0	4
27	400079	NUT - HEX ES 3/8-16	4
28	400018	SCR - HEX 1/2 - 13 X 4.00 ZP	1
31	Curb Broom : Choose from the following (24")		1
300306		BRM - SIDE 24" POLY (Poly)	1
300308		BRM - SIDE 24" NYLON (White)	1
<b>32</b>	<b>3313203</b>	<b>ASSY- ARM SIDE BROOM</b>	<b>1</b>

### SIDE BROOM GROUP (CONT.)

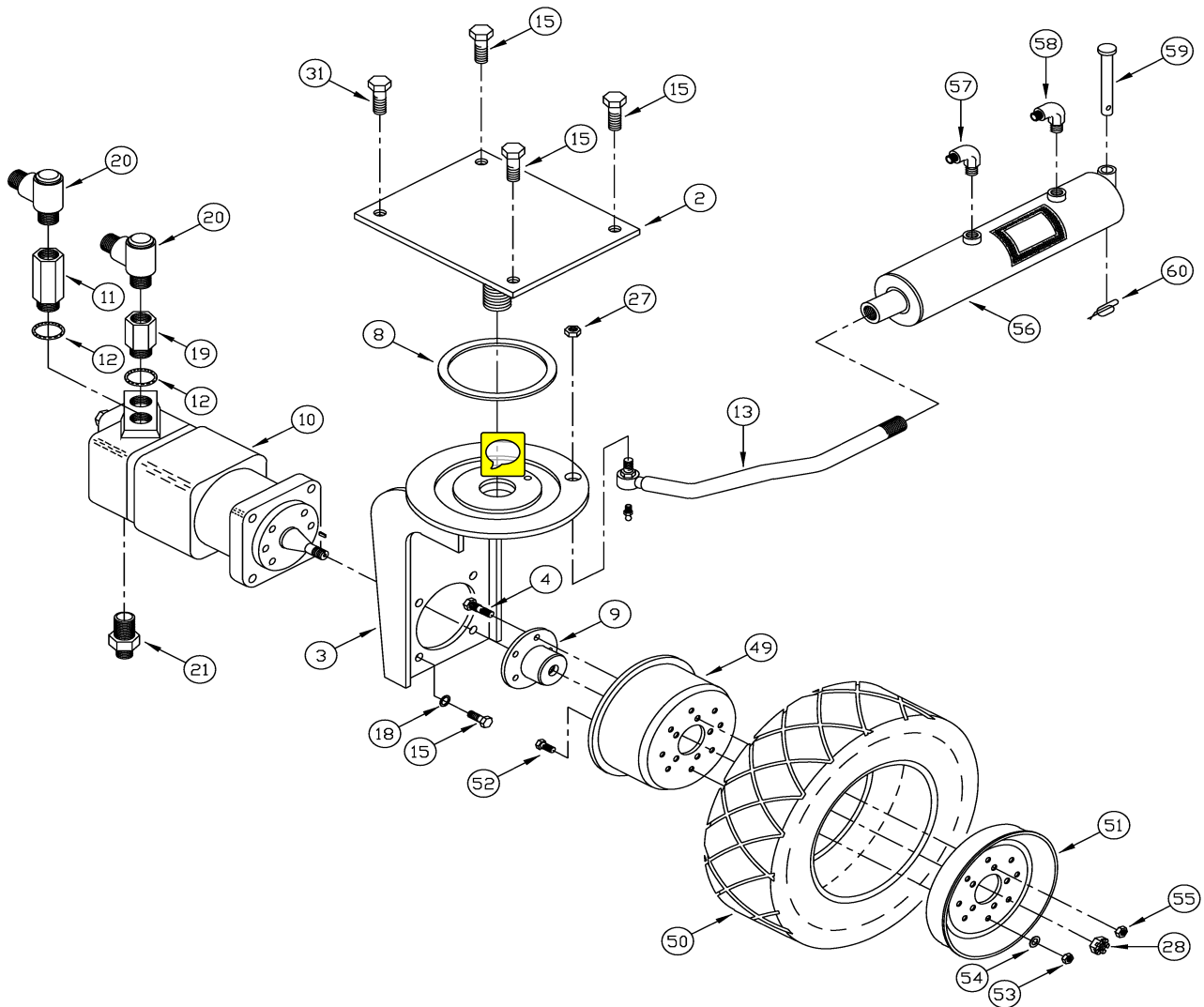


091PC002

**SIDE BROOM GROUP (CONT.)**

REF#	PART #	DESCRIPTION	QUANTITY
1	318486	WELD - SIDE BRM LIFT	1
2	309351	ACTUATOR - DUAL CURB BROOM	1
3	312603	SWITCH - SEALED ROLLER	1
4	312603	SWITCH - SEALED ROLLER	1
5	304438K	BLOCK - SQ LIFT KENT	1
6	400790	SCREW - BHSCS .375 - 16 X 1	1
7	300368	PULLEY - PLASTC	1
8	321245	CABLE - CB LIFT L/H SW62	1
9	400051	SCR - HSS 5/16 DIA X .50 ZP	1
10	400081	NUT - HEX 1/4 - 20 ES ZP	1
11	400118	SCREW - HEX 1/2-13 X 4.0	1
12	400125	RING - RUE 3/8	1
13	400733	PIN - ROLL 1/4 X 1 - 3/4	2
14	400823	SCR - #6 - 32 X 1 - 3/4 UNC PAN HD SLT	2
15	400492	NUT - #6 - 32 ELASTIC STOP	2
16	400744	PIN - CLEVIS 1/4 X 1 - 1/4	1
17	400742	RUERING - 1/4 HEAVY ZP	1

# STEERING GROUP



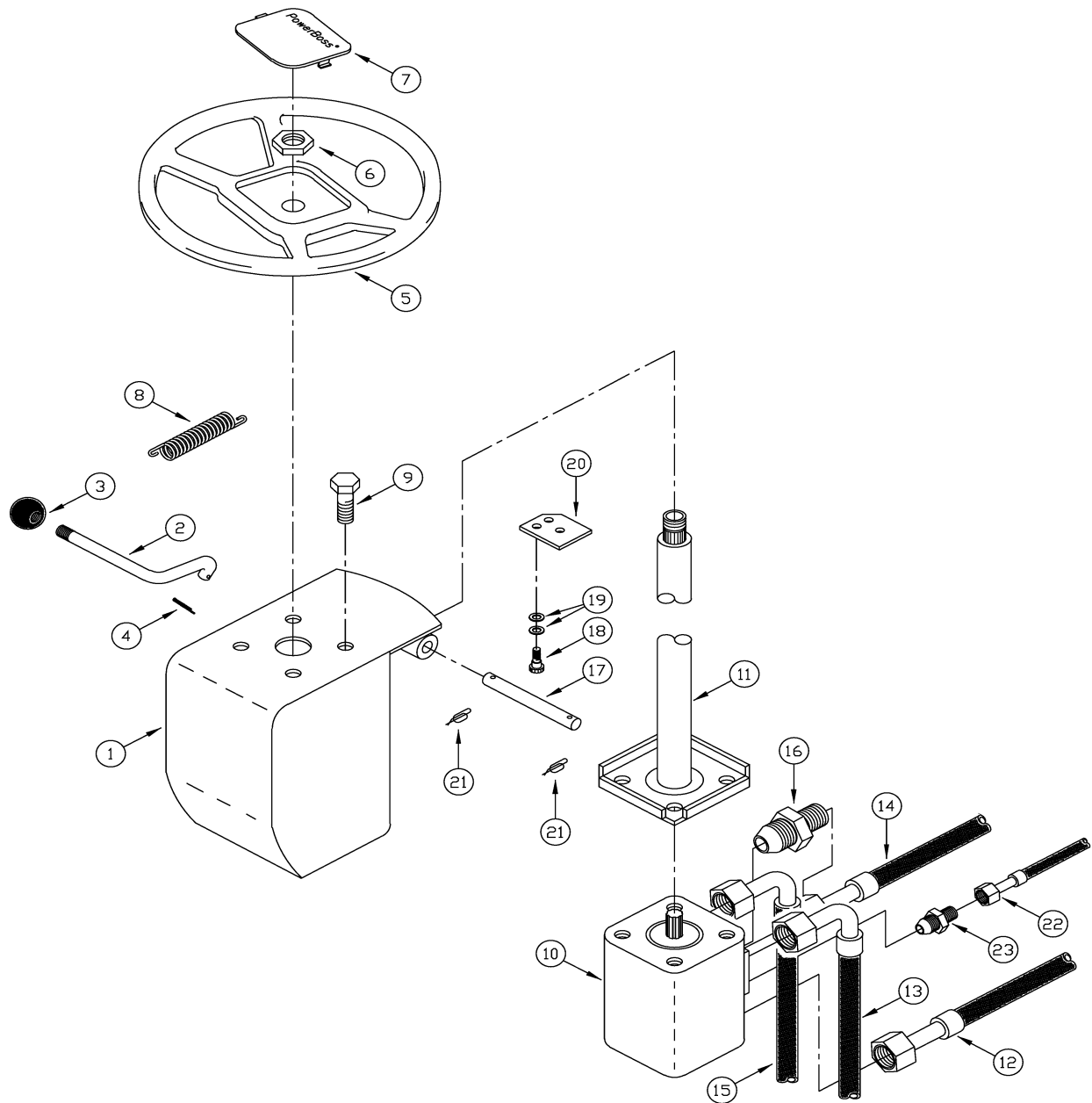
040PC001



## STEERING GROUP

REF#	PART #	DESCRIPTION	QUANTITY
2	318470	WELD - PIVOT PLATE	1
3	318468	WELD - STEERING FORK	1
4	300415	STUD - WHEEL HUB	5
8	300472	BEARING - THRUST 5.812 ID X 7.00 OD	1
9	301018	HUB - REAR WHEEL	1
10	301534	MOTOR - HYD 2000 SERIES	1
11	302349	FITTING - SPECIAL WHEEL MOTOR	1
12	302360	O-RING - .755 ID X .098 W	1
13	318455	ASSY - STEERING LINK SUB SW/72	1
15	400452	SCR - FLT 1/2 - 13 X 1.50 SOC ZP	4
18	400098	WASHER - LOCK 1/2	8
19	400166	FITTING - ADAPTER 7/8-14 EXT TO 3/4	1
20	400169	FITTING - SWIVEL 3/4-16 TO #8	2
21	400212	FITTING - ADAPTER 7/16-20 TO #4	1
27	400188	NUT - HEX JAM 1/2-20 ES	1
28	400313	NUT - HEX 11/16-18	1
49	300211	RIM - INNER PNTD	1
50	300370	TIRE - SOLID	1
51	300408	RIM - OUTER MACH & PNTD	1
52	400015	SCREW - FLAT 7/16-14 X 1.5, SOC	5
53	400066	NUT - HEX 7/16-14 ZP	5
54	400099	WASHER - LOCK 7/16 SPLIT ZP	5
55	300411	LUG NUT	5
56	318452	CYLINDER - STEERING	1
57	400634	FTG - ADAPTOR 90 DEG ELBOW 1/2 - 20	1
58	400634	FTG - ADAPTOR 90 DEG ELBOW 1/2 - 20	1
59	400439	PIN - CLEVIS 3/4" DIA X 2.00 LG	1
60	400661	PIN - COTTER 3/4 RUE-RING	1

# STEERING GROUP - TILT STEERING



040PC002

**STEERING GROUP - TILT STEERING**

REF#	PART #	DESCRIPTION	QUANTITY
1	318426	WELD - POWER STRG MNT SW/72	1
2	315921	ROD - TILT OPERATING	1
3	315913	KNOB - BALL 1" DI 1/4 - 20 THD BLK	1
4	400662	PIN - COTTER 1/16 X .50 ZP	1
5	318220	WHEEL - STEERING 9XV	1
6	*	PART OF NUMBER 11	1
7	*	PART OF NUMBER 5	1
8	400718	SPRING - COLUMN LATCH	1
9	400790	SCREW - BHSCS .375 - 16 X 1	1
10	318471	STEERING UNIT - POWER BEYOND	1
11	320640	STEERING COLUMN - PWR STEER 295MM	1
12	318383	HOSE - 3/8 AR 47.50 ST#6 ST#6	1
13	318373	HOSE - 3/8 AR 60.50 ST#6 45#6	1
14	318382	HOSE - 3/8 AR 61.00 ST#6 ST#6	1
15	318377	HOSE - 3/8 AR 46.00 ST#6 45#6	1
16	400648	FTG - ADPT ST THD 3/4 - 16 TO #6	1
17	318512	ROD - COLUMN PIVOT SW/72	1
18	400052	SCR - HSS 5/16 DIA X .25 ZP	1
19	400088	WASHER - FLAT 5/16 STANDARD ZP	1
20	315918	LATCH - STEERING COLUMN	1
21	400124	PIN - COTTER 5/8 RUE RING	1
22	318381	HOSE - 3/8 AR 52.00 ST#6 45#6	1
23	400635	FTG - ADAPTOR CONNECTOR 9/16 - 18	1

